

BOSTONtec



Ergonomic Workstations

bostontec.com



IMPROVING PRODUCTIVITY THROUGH ERGONOMIC SOLUTIONS



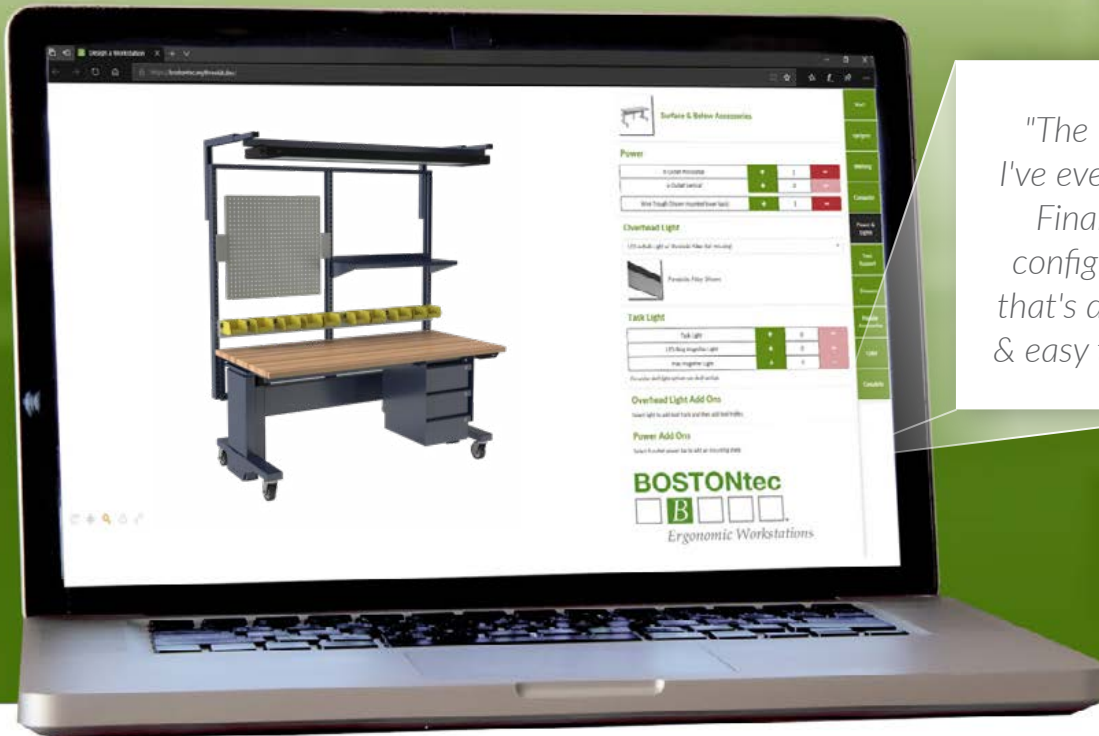
1

2

3

BOSTONtec®

3D Workstation Builder



*"The BEST
I've ever seen.
Finally, a
configurator
that's detailed
& easy to use!"*

Design Your Own Realize your workstation vision in 360°

At **BOSTONtec®** we believe it's important to have a workstation that fits your needs. That's why we are excited to provide our online 3D builder tool!

Now you can drag and click your way to your ultimate workstation design! Don't see exactly what you are looking for? No problem! We're pros at customization. We design our workstations to adjust to you, rather than the other way around.

That's important, because a well-designed workplace can make people up to 25% more productive and reduce health care costs. It's also easier to retain talent in a healthy, comfortable environment.

Ready to experience quality, ease, and durability? Let's talk.

bostontec.com



Table of Contents

03

General Information

08

Industrial

23

Accessories

52

Laboratory

Configurator2	Industrial Overview8	Accessories Overview23	Laboratory Overview52
Ergonomics At Work.....4	Base Frames Electric Height Adjustable.....10 Manual Height Adjustable.....12	Uprights25 Shelves27	Base Frames Electric Height Adjustable.....54 Manual Height Adjustable.....54
Color Options.....6	Technical Workstations14	Computer Accessories32	Utility Tables55
Custom Capabilities7	Specialty Frames15	Power & Lights36	Work Surfaces56
QUICKSHIP49	Feet & Casters17	Tool Support40	Laboratory Accessories57
Feet And Caster Part Numbers.....63	Work Surfaces18	Storage44	
	Specialty Work Surfaces20	Other Popular Accessories ...46	

Need it Fast?



QUICKSHIP | SHIPS IN 5 DAYS!*

* business days

- Our most popular models and accessories
- FOB Midland, Michigan
- See [page 49](#) for more details



Look for [accessories](#) with the QuickShip logo.

Ergonomics At Work



BOSTONtec was founded on a commitment to providing ergonomic workstations that improve the quality of life and increase productivity. This is achieved through a full line of height adjustable workstations and a wide range of accessories that lift, tilt, rotate and slide for optimal flexibility.

ANSI/HFS 100-1988

BOSTONtec follows ANSI/HFS 100-1988 guidelines to ensure proper leg clearance and adjustability for seated operators. Our workstations are designed to support ADA compliance.

By utilizing a range of adjustable components, workstations can be configured to meet the needs of 90 percent of operators or what ergonomists refer to as the 5th to 95th percentile.

PRODUCTIVITY

While automation has improved quality and productivity, many of the tasks that remain are repetitive and can be detrimental to the human body. Proper workstation solutions allow users to focus strength and energy on the tasks at hand while avoiding harmful effects.

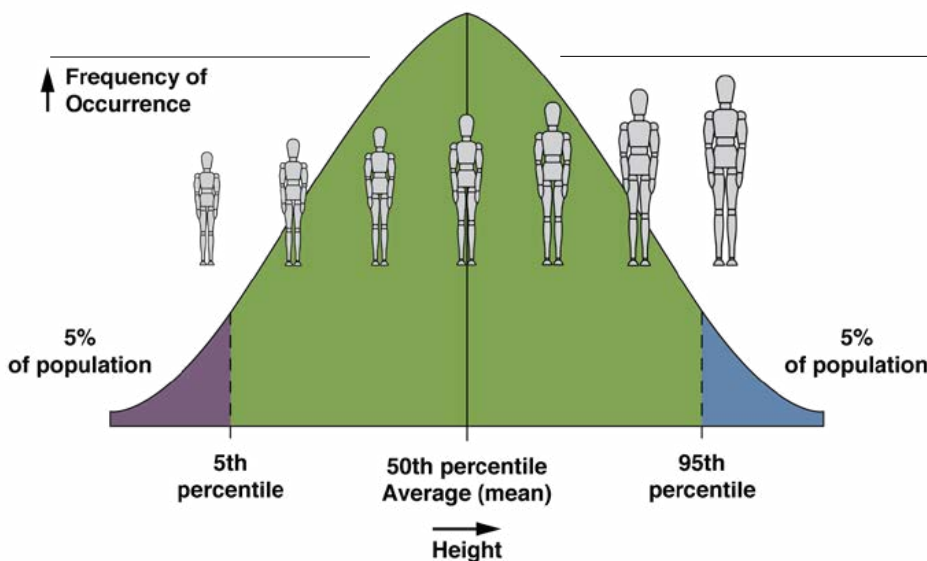
Properly designed workstations can increase productivity up to 25% over traditional fixed workstations by reducing unnecessary motion and subsequently increasing ROI.

MSDs

Musculoskeletal disorders (MSDs) are injuries and disorders of soft tissues such as muscles, tendons, ligaments, joints and the nervous system caused by repetitive motions. MSDs frequently involve the arms, wrists, hands and back.

MSDs account for 34% of all lost workday injuries and illnesses.

Each year employers report nearly 600,000 MSDs requiring time away from work. BOSTONtec ergonomic workstations and accessories assist in preventing strain with convenient workstation height adjustability and by placing tools and other items within reach of the operator.



Workforce diversity has made designing for the "average" worker obsolete. BOSTONtec workstations are designed for 5th to 95th percentile users.

For more information go to www.bostontec.com/ergonomics

ERGONOMIC SOURCES

- www.bls.gov
- www.cdc.gov
- www.danmacleod.com
- www.ergo-plus.com
- www.ergonomics4schools.com
- www.ergoweb.com
- www.osha.com

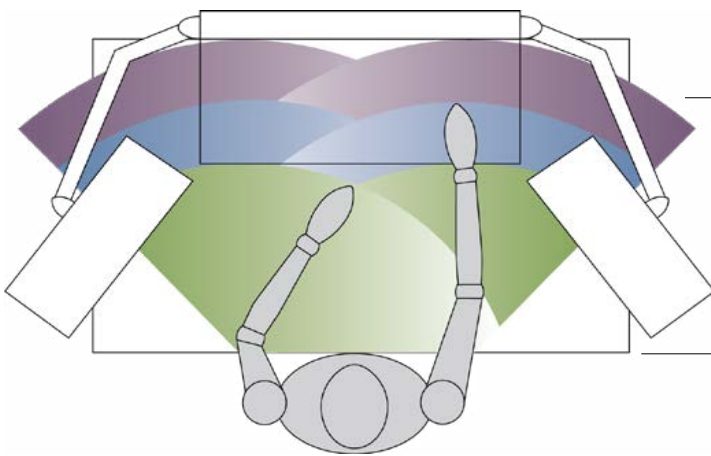


Ergonomics At Work



Comfort and productivity can be significantly improved if the ergonomic reach of the operator is considered when designing a workstation.

BOSTONtec has a wide variety of accessories to help place needed items according to the recommended zone.



Let **BOSTONtec** Get You In The Green Zone

Horizontal Reach Zones

1st Zone

- High use items
- Least stress, most comfort
- Easiest access to items with minimal movement required

2nd Zone

- Medium use items
- Operator can comfortably reach by extending arm and rotating shoulder
- Requires little time to access items but extensive time in this position can cause fatigue and skeletal stress

3rd Zone

- Low use items
- Involves operator moving core body while in sitting position
- Substantial reduction in efficiency from first two zones

4th Zone

- Storage only- Located outside of all three reach zones.

Vertical Seated Reach Zones

1st Zone

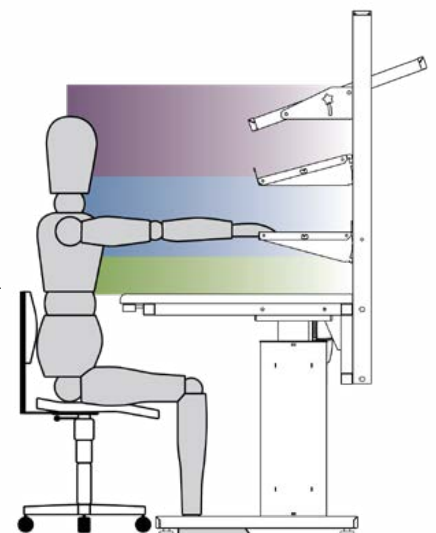
- High use items
- Offers most operator comfort and fastest access to items

2nd Zone

- Medium use items
- Requires little time to access items but extensive time in this position can cause fatigue and skeletal stress

3rd Zone

- Low use items and storage
- Involves operator trunk movement representing significant efficiency reduction



Experience Work with Color

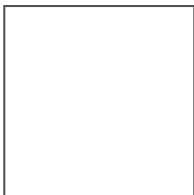
Color Program

Enhance your work environment, show your company pride, or color code work zones.

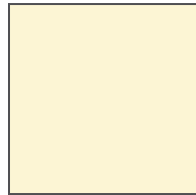
NEW! |

Now with More Colors to Choose From

- No charge, no minimum
- Standard lead time



WHITE



CREAM



NEUTRAL



LIGHT GRAY



MATTE PLATINUM



MATTE BLACK



FIRE ENGINE RED



BURGUNDY



CLASSIC BLUE



NAVY

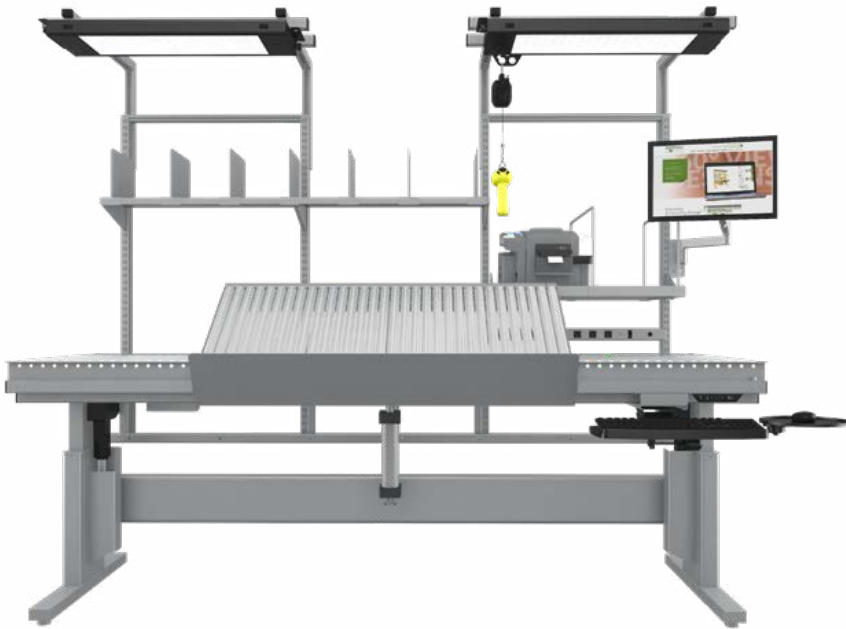
Custom Color Requests

Customer provides color swatch to match - **or** - RAL color choice

- Cost quoted as requested
- **Contact BOSTONtec for more information**

Custom Capabilities

BOSTONtec is the industry leader in customized solutions. Our in-house capabilities take your ideas from concept to final product.



Design & Engineering

Working with the customer, our sales and engineering team identify and address the specific needs of the application. Our engineering team then creates a customized solution with renderings to assist in completion of the final design.

Manufacturing

Once designs are customer-approved, our engineering and production teams turn the drawings into customized workstations.

All aspects of manufacturing are performed in-house.

- Sheets of steel are laser cut, pressed and formed to exact specifications.
- Our welding department utilizes MIG, TIG and spot welding techniques.
- All steel components are finished on our powder coating line where they are high pressure washed, degreased, painted and baked at 400°.
- Finally, workstations head to assembly where frame and under work surface components are assembled pre-shipment.



Shipping

BOSTONtec workstations are carefully packaged and palletized for protection during shipment.

Additional Services

BOSTONtec also offers project management services and on-site installation.

INDUSTRIAL



ASSEMBLY
FULFILLMENT
MANUFACTURING
PACKING
SHIPPING

BOSTONtec



INDUSTRIAL

Build Your Own Workstation in 4 Simple Steps!

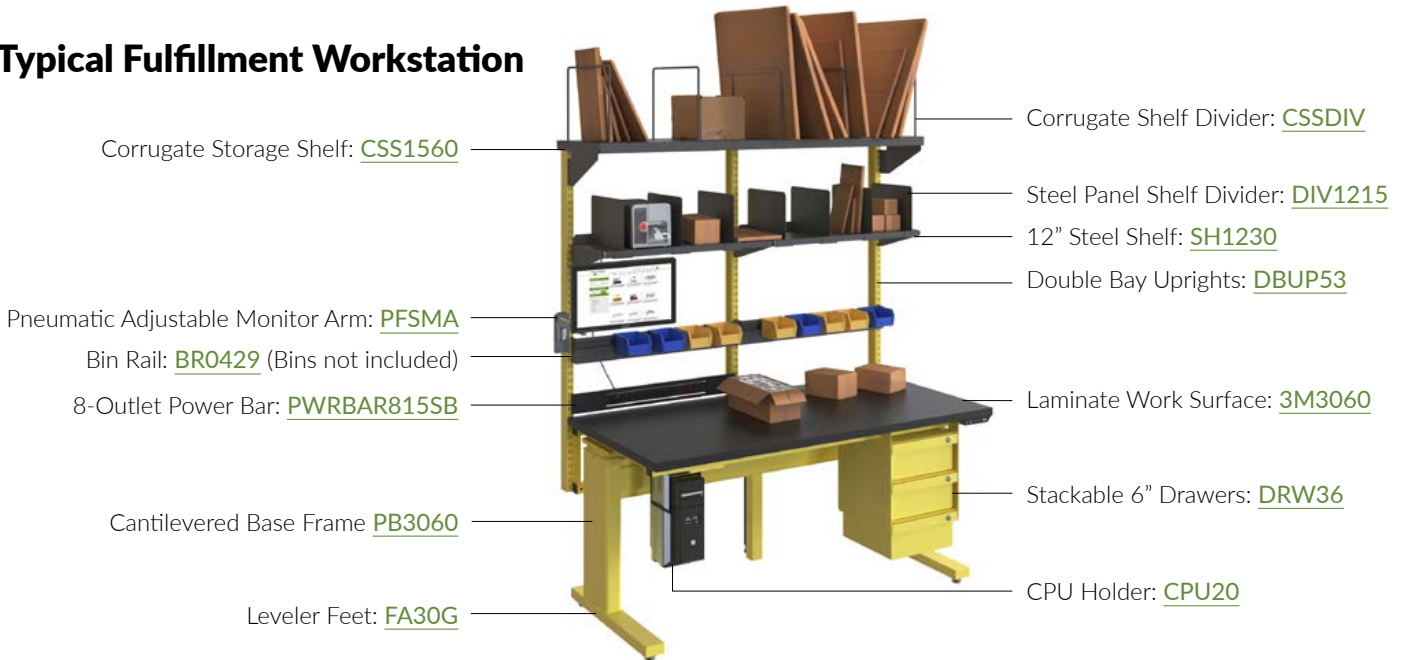
1
Select Workstation Base Frame

2
Select Feet or Casters Type

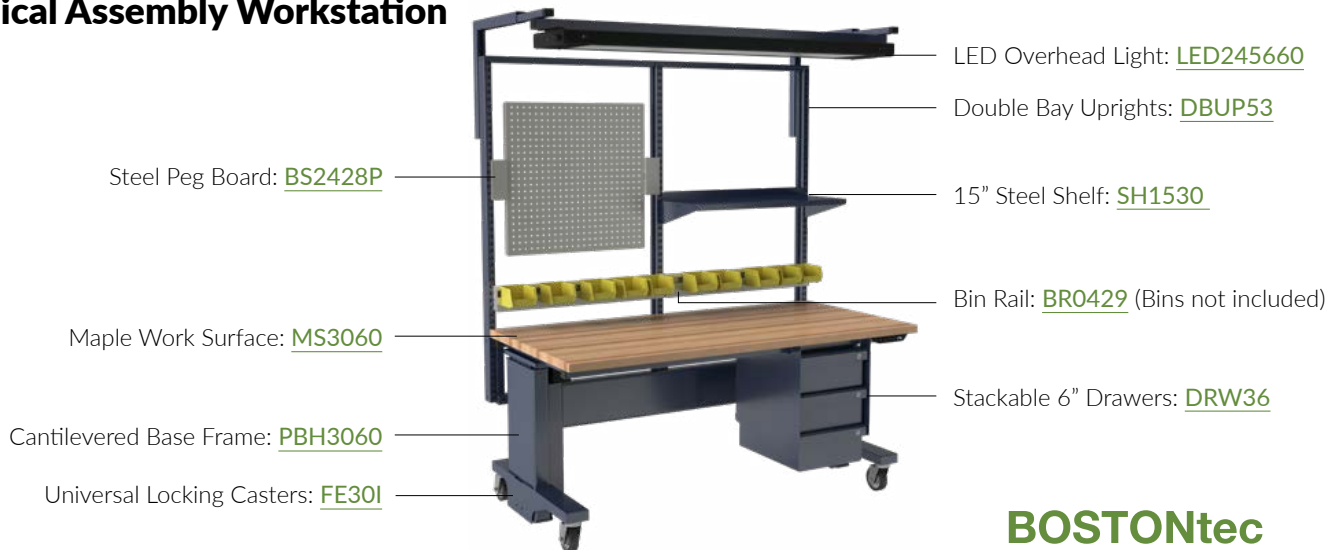
3
Select Work Surface Type

4
Select Accessories

Typical Fulfillment Workstation



Typical Assembly Workstation





INDUSTRIAL ELECTRIC HEIGHT ADJUSTABLE

Cantilevered Workstation

Best for multiple-operator, multiple-shift applications. Designed to support 5th to 95th percentile operators in a sitting or standing posture. Work surface height is easily adjustable at the touch of a button. A rear fixing frame provides stable support for single, double or triple bay uprights to hold bin rails, shelving, lighting and other accessories.

FEATURES:

- Cantilevered style leg ensures ample leg room
- Adjusts 28" to 44" without work surface
- Programmable switch provides digital height read-out and preset adjustability
- Medium Duty (PB) includes self-contained linear actuator with integral limit switches, 12 VDC low voltage control
- Heavy Duty (PBH) includes dual-synchronized linear actuators with integral limit switches, 12 VDC low voltage control
- Supports [ADA compliance](#)
- Gray epoxy powder coat finish ([Additional colors available](#))
- [Feet or casters](#), [work surface](#) and [accessories](#) ordered separately
- See [page 49](#) for QuickShip availability



Load Capacity | MEDIUM DUTY
500 lbs*



Load Capacity | HEAVY DUTY
1,200 lbs*

BUILD YOUR PART NUMBER

Medium Duty: PB

Heavy Duty: PBH

Available in depths: 24" | 30" | 36"

Available in widths: 30" | 36" | 48" | 60" | 72" | 84" | 96"

Additional sizes available upon request

*Based on evenly distributed loads

PB3060

Prefix

Depth & Width
(based on work surface size)

BOSTONtec



CONTACT US | 989-496-3500



INDUSTRIAL ELECTRIC HEIGHT ADJUSTABLE

Center-Justified Workstation

Created for applications requiring access from both sides of the table. Best for multiple-operator and multiple-shift applications. Designed to support 5th to 95th percentile operators in either a sitting or standing posture. Work surface height is easily adjustable at the touch of a button. This frame does not support uprights.

FEATURES:

- Center-justified style leg
- Adjusts 28" to 44" without work surface
- Programmable switch provides digital height read-out and preset adjustability
- Medium Duty (PBC) includes self-contained linear actuator with integral limit switches, 12 VDC low voltage control
- Heavy Duty (PBHC) includes dual-synchronized linear actuators with integral limit switches, 12 VDC low voltage control
- Supports [ADA compliance](#)
- Gray epoxy powder coat finish ([Additional colors available](#))
- [Feet or casters](#), [work surface](#) and [accessories](#) ordered separately
- See [page 49](#) for QuickShip availability



Load Capacity | 500 lbs* | MEDIUM DUTY



Load Capacity | 1,200 lbs* | HEAVY DUTY

BUILD YOUR PART NUMBER

Medium Duty: PBC

Heavy Duty: PBHC

Available in depths: 30" | 36" | 48"

Available in widths: 30" | 36" | 48" | 60" | 72" | 84" | 96"

Note: 48" depth tables have widths available starting at 60"

Additional sizes available upon request

*Based on evenly distributed loads

PBC3060

Prefix

Depth & Width
(based on work surface size)

CONTACT US | 989-496-3500





INDUSTRIAL MANUAL HEIGHT ADJUSTABLE

Cantilevered Workstation

Best for single-shift, single-operator applications where frequent height changes are not required. Designed to support 5th to 95th percentile operators in either a sitting or standing posture. Height adjustments are made by removing the locking hand screws, repositioning the telescoping legs to the desired height and replacing the locking hand screw. Rear fixing frame provides stable support for single, double or triple bay uprights to hold bin rails, shelving, lighting and other accessories.

FEATURES:

- Cantilevered style leg ensures ample leg room
- Medium Duty (AF) adjusts 28" to 40" without work surface
- Heavy Duty (AFH) adjusts 28" to 43" without work surface
- Supports [ADA compliance](#)
- Gray epoxy powder coat finish ([Additional colors available](#))
- [Feet or casters](#), [work surface](#) and [accessories](#) ordered separately
- See [page 49](#) for QuickShip availability



Load Capacity | MEDIUM DUTY
500 lbs[†]



Load Capacity | HEAVY DUTY
1,200 lbs[†]

BUILD YOUR PART NUMBER

Medium Duty: AF

Heavy Duty: AFH

Available in depths: 24" | 30" | 36"

Available in widths: 30" | 36" | 48" | 60" | 72" | 84" | 96"

Additional sizes available upon request

[†]Based on evenly distributed loads

AFH2460

Prefix

Depth & Width
(based on work surface size)

BOSTONtec



CONTACT US | 989-496-3500



INDUSTRIAL MANUAL HEIGHT ADJUSTABLE

Center-Justified Workstation

Created for applications requiring access to both sides of the table. Best for single-shift, single-operator applications where frequent height changes are not required. Designed to support 5th to 95th percentile operator in either a sitting or standing posture. Height adjustments are made by removing the locking hand screws, repositioning the telescoping legs to the desired height and replacing the locking hand screw. This frame does not support uprights.

FEATURES:

- Center-justified style leg
- Medium Duty (AFC) adjusts 28" to 40" without work surface†
- Heavy Duty (AFHC) adjusts 28" to 44" without work surface
- Supports [ADA compliance](#)
- Gray epoxy powder coat finish ([Additional colors available](#))
- [Feet or casters](#), [work surface](#) and [accessories](#) ordered separately

*Adjusts 32" to 39" (without work surface) with caster option



Load Capacity | MEDIUM DUTY
500 lbs†



Load Capacity | HEAVY DUTY
1,200 lbs†

BUILD YOUR PART NUMBER

Medium Duty: AFC

Heavy Duty: AFHC

Available in depths: 30" | 36" | 48"

Available in widths: 30" | 36" | 48" | 60" | 72" | 84" | 96"

Note: 48" depth tables have widths available starting at 60"

Additional sizes available upon request

†Based on evenly distributed loads

AFC3060

Prefix

Depth & Width
(based on work surface size)

CONTACT US | 989-496-3500





INDUSTRIAL TECHNICAL WORKSTATION

Technical Workstation

This sturdy, four-post workstation is available in a fixed height or with optional leg extensions. The leg extensions are inserted inside the workstation legs and secured with machine screws. For increased mobility, optional swivel casters are available.

FEATURES:

- Ships knocked down (KD)
- Gray epoxy powder coat finish
(Additional colors available)
- Work surface and accessories ordered separately

Technical Workstation with Leveler Glides (TCBL)

- Fixed height
- Includes leveler glides

Technical Workstation with Leg Extensions and Leveler Glides (TCBE)

- 8" of height adjustment
- Includes leg extensions and leveler glides

Technical Workstation with Casters (TCBC)

- Fixed height
- Includes 2-locking and 2-non-locking casters
- 3" polyurethane casters



Under Work Surface Shelving

- Provides additional storage for occasional use items
- Available in half or full depth
- All industrial work surface options

Load Capacity
1,000 lbs* | TCBE



Load Capacity
1,000 lbs* | TCBL



Load Capacity
600 lbs* | TCBC



BUILD YOUR PART NUMBER

TCBL: Technical Workstation with Leveler Glides

TCBE: Technical Workstation with Leg Extensions

TCBC: Technical Workstation with Casters

Available in heights: 30" | 36"

Available in depths: 24" | 30" | 36"

Available in widths: 30" | 36" | 48" | 60" | 72" | 84" | 96"

*Additional sizes available upon request
Based on evenly distributed loads

TCBL303660

Prefix

Height

Depth

Width

(based on work surface size)

BOSTONtec



CONTACT US | 989-496-3500



INDUSTRIAL SPECIALTY FRAMES

Standing Workstation Frame

Cost-effective means of supporting a small work surface and accessories. Ideal in spaces where a full workstation is not needed. Frames may be used behind conveyors to provide easy access and support for tools or task items. Adding optional casters creates a mobile desk.



Trolley

Offers additional mobile storage for shared materials or to refill work areas. The trolley uses two uprights to provide easy, open access to items.



STANDING WORKSTATION FRAME FEATURES:

- Single bay frame 30"w x 69"h
- Double bay frame 60"w x 69"h
- Both frames accept 24"d x 30"w or 24"d x 36"w work surfaces
- Work surface and accessories adjust in one-inch increments
- Includes leveler feet, top and bottom support bars
- Gray epoxy powder coat finish
(Additional colors available)
- Casters, work surface and accessories ordered separately

PART NO.	DESCRIPTION
SWF3069	Single Bay Standing Frame, 30"w
SWF3069	Single Bay Standing Frame, 60"w
SWFA24	Work Surface Support Arms (Pair)
SWF3069C4	Standing Frame with Casters (4-locking)
SWF6069C6	Standing Frame with Casters (6-locking)

TROLLEY FEATURES:

- Accepts most industrial accessories and articulating arms
- Accessories adjust in one-inch increments
- Gray epoxy powder coat finish
(Additional colors available)
- Includes 2-locking and 2-non-locking 4" casters and top and bottom cross bars
- Accessories ordered separately

PART NO.	DESCRIPTION
TTF3073	Trolley, 30"w x 73"h

*Based on evenly distributed loads

CONTACT US | 989-496-3500





INDUSTRIAL SPECIALTY FRAMES

Wire Harness Board Frame

This workstation is the result of three years of cooperative development with several major wire harness fabricators. The electric height adjustable and manual tilt mechanisms provide a more ergonomic work environment increasing productivity. Frame allows operator to properly set a large wire harness board quickly, then change position without removing work in process.

Frame may be raised or lowered at the touch of a button so operator can work comfortably sitting or standing.

Deck adjusts easily from horizontal to vertical position as well as multiple tilting options. Horizontal setting provides operator access to the board from all sides.

FEATURES:

- Space-saving compact footprint, 36"d x 72"w
- Deck is 36"d x 72"w, expands to 48"d x 72"w
- Supports boards up to 48"d x 96"w
- Multiple frames can work together to support extra long boards
- 36" to 70" horizontal position height range*
- 11" to 46" vertical position height range*
- Manual tilt 0° to 90° in 10° stops
- Programmable switch provides digital height read-out and preset adjustability
- Self-contained linear actuator with integral limit switch, 12 VDC low voltage control
- Gray epoxy powder coat finish [\(Additional colors available\)](#)
- Casters and lag plates available



Load
Capacity
350 lbs†

PART NO.

DESCRIPTION

PHF3672 Wire Harness Board Frame, 36"d x 72"w,
Electric Lift, Manual Tilt



Load
Capacity
350 lbs†

PART NO.

DESCRIPTION

PHF3672C Wire Harness Board Frame, 36"d x 72"w,
Electric Lift, Manual Tilt, with (4) locking casters

* Minimum and maximum height increases by a measure of 4" with
caster option

† Based on evenly distributed loads

BOSTONtec



CONTACT US | 989-496-3500



INDUSTRIAL FEET & CASTERS

See [chart](#) on page 63, for foot and caster ordering information.

WORKSTATION TYPE	LEVELER FEET	UNIVERSAL LOCKING CASTER	MEDIUM DUTY ESD CASTER	UNIVERSAL LEVELING CASTER
AF	•	•	•	•
AFC	•	•	•	•
AFH	•	•		•
AFHC	•	•		•
PB	•	•	•	•
PBC	•	•	•	•
PBH	•	•		•
PBHC	•	•		•



Leveler Feet

- Allow user to level workstation on uneven surfaces
- Leveler glides included



Drop Down Feet

- Unique drop down foot design
- Add casters without increasing starting height of the workstation
- Included with all casters



Lag Plates

- Compatible with leveler feet
- Plate has four $\frac{3}{8}$ " holes to bolt to floor (bolts not included)



Medium Duty ESD Casters

- All 4 locking casters
- Polyolefin core with conductive rubber tread
- 5" overall height; 4" wheel
- Non-marking



Universal Leveling Casters

- Nylon wheel; rubber leveling pad
- 4" overall height on caster; 4 ½" overall height on leveler
- 2 ½" wheel
- Non-marking



Universal Locking Casters

- All 4 locking casters
- Polyurethane on polyolefin wheel
- 5.12" overall height; 4" wheel
- Non-marking



INDUSTRIAL WORK SURFACES

Premium Grade Laminate

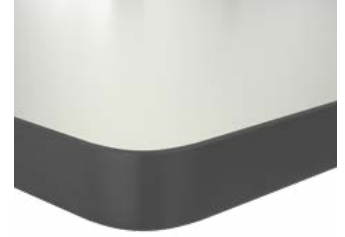
This highly durable work surface is constructed with a top layer of 1/8" thick laminate over 1 1/8" high density core board.

Standard Edge



All four sides are edged with an impact-resistant 3mm thick PVC edging in a complementary color. Finished with a 2mm radius. Brown backer. See [page 49](#) for QuickShip availability.

T-Mold



All four sides are edged with a resilient molded dark charcoal color bumper. Rounded corners are formed with a 1 1/4" radius. Brown Backer.



Cleanroom

A premium grade laminate work surface with sealed edges and a laminate underside for cleanroom environments. All four sides are edged with an impact-resistant 3mm thick PVC edging in a complementary color. Finished with a 2mm radius. (Typically used in class 100, 1000, and 10000.)

Electrostatic Discharge (ESD) Version

All surfaces above are also available in an Electrostatic Discharge (ESD) version utilizing a special laminate that reduces electric current transfer on the work surface. Flush ESD grounding bolt is included and swivet connectors are available for grounding.



Grounding Bolt (Swedge)
included



Swivet Connector
optional

BUILD YOUR PART NUMBER

WORK SURFACE PREFIX:

3 MM:	3M	3 MM ESD:	3ME
T-Mold:	TM	T-Mold ESD:	TME
3 MM Cleanroom:	3M-2	3 MM ESD Cleanroom:	3ME-2

3M2460

Prefix | Depth & Width

Standard color: Gray
Additional colors available

BOSTONtec



CONTACT US | 989-496-3500



INDUSTRIAL WORK SURFACES



Additional Options

Different applications can require specific work surfaces. BOSTONtec offers the most popular options – as well as special requests.

Stainless Steel



Durable and chemical-resistant, 1 1/2" stainless steel work surfaces are constructed of 304 grade, 14 gauge stainless steel formed over a sealed laminated core board. Work surface comes with a 2B random brushed finish and is non-reflecting.

Maple



Ideal for areas that must stand repeated wear and tear. Beautifully fabricated with 1 3/4" edge laminated hardwood maple. This surface provides maximum strength and durability and looks good doing it. Also available in a 180° rolled edge.

Phenolic Resin



Solid phenolic is a high-pressure, thermoset resin composite. This chemical-resistant material is nonporous and non-conductive with high impact resistance and superior structure strength.

Didn't see what you need? We've got you covered.

Contact your sales representative today for additional work surface options

BUILD YOUR PART NUMBER

WORK SURFACE PREFIX:

Stainless Steel: SS | Maple: MS | Phenolic Resin: PR

MS2460

Prefix Depth & Width

CONTACT US | 989-496-3500





INDUSTRIAL SPECIALTY WORK SURFACES

Transfer & Rotation

Surface rollers and ball transfers are designed to simplify the moving of heavy loads.

Ball transfers are available in fixed or pneumatic retractable options. Each ball transfer is a self-contained unit capable of handling 10 - 30 lbs and allows the operator to move loads in multiple directions easily. When assembled in an appropriate pattern, they can support loads in excess of 1,000 lbs. Pneumatic ball transfers retract .065" below flange and may be controlled by either foot or hand switch.

A variety of surface roller and ball transfer patterns are available to accommodate differing tasks. Consult your sales representative for assistance in configuring the proper pattern for your application.



Compatible with all industrial workstations

CONTACT BOSTONtec FOR ORDERING INFORMATION



INDUSTRIAL SPECIALTY WORK SURFACES

Tilting Work Surfaces

Tilt tables improve user ergonomics and productivity by better positioning a task, reducing operator reach and promoting proper posture. Available with a full or split surface tilt in drafting or rotational style. Choice of manual or electric adjustability. Available in laminate and hardwood work surfaces.

Drafting Style Tilt

Used for applications in which the work surface pivots from its front edge, similar to a drafting table.

Rotational Tilt

Used for applications where the surface tilts around an axis placed back from the front edge of the surface. Unlike a standard drafting table tilt, the front of the surface will drop as the back rises. This method helps users gain easier access inside large, deep items.

Manual Tilt

Manual tilt surfaces provide a simple, cost-effective method for adjusting position of smaller surfaces for light duty applications. The manual tilt option provides a ratcheting latch in the back of the work surface that allows the surface to be lifted to the desired tilt up to 30° where the latch will lock into position.

Electric Tilt

Standard electric tilt up to 60° is available on any style tilting work surface.



Full Surface Electric Tilt



Split Surface Manual Tilt

CONTACT BOSTONtec FOR ORDERING INFORMATION

CONTACT US | 989-496-3500





INDUSTRIAL SPECIALTY WORK SURFACES

Additional Specialty Surfaces

BOSTONtec offers customized work surface solutions to meet specific applications. Consult your sales representative for assistance.

Work Surface Cutouts

Surface cutouts can be designed to incorporate drop-in scales, turntables, wiring grommets or other special uses.

All our surfaces can be modified to meet almost any requirement - laminate, stainless steel, hardwood maple, phenolic resin.



Bi-Level Mechanics

Compatible with cantilevered base frames, bi-level mechanics create an adjustable split-level work surface for your keyboard, mouse or workspace.

Adjustable with one hand, the surface can move from 7" above work surface to 8" below work surface and has an angle range from -15° tilt to 15° tilt.



CONTACT BOSTONtec FOR ORDERING INFORMATION

ACCESSORIES

UPRIGHTS

SHELVES

COMPUTER ACCESSORIES

POWER & LIGHTS

TOOL SUPPORT

STORAGE

OTHER POPULAR ACCESSORIES



All accessories have a gray epoxy powder coat finish unless noted otherwise. [Additional colors available.](#)

ACCESSORIES

A wide variety for endless combinations!



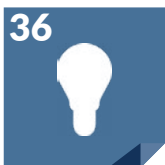
.....Uprights



.....Shelves



.....Computer
Accessories



.....Power
& Lights



.....Tool
Support



.....Storage



.....Other
Popular
Accessories



NEW!

Upright Mounted Scanner Bracket

Keep misplacing your handheld scanners? Find them right where you left them with the new convenient Upright Mounted Scanner Bracket. [See listing](#) on page 41, to learn more.

Power Tool Holder

Need a spot for your frequently used power tools? Keep them handy with the new Power Tool Holder. [See listing](#) on page 41, for more on this accessory.



ACCESSORIES UPRIGHTS



Uprights

- Uprights working in concert with proper accessories provide users with optimal ergonomic reach access and increased [productivity](#)
- Double-slot, double-sided design allows users to place or move accessories in 1" increments without tools
- Mount 33" or 42" above work surface with basic tools
- 1" x 1" channel design provides area to fish wires or air tubes
- Compatible with cantilevered workstation frames
- Include hardware and mounting brackets

Single Slotted Upright

CAPACITY: 65 lbs

- For use with single-mounted accessories such as [flat panel display arms](#) and [vertical power bar](#)



PART NO.	DESCRIPTION	WEIGHT
SUP53	Single Slotted Upright	13 lbs



Single Bay Slotted Uprights, 30" Spacing

Single Slotted Upright

Single Bay Slotted Uprights, 30" Spacing

CAPACITY: 250 lbs

- Accept all above-surface accessories
- Compatible with cantilevered workstations at least 30" wide
- Top cross brace provides added stability

PART NO.	DESCRIPTION	WEIGHT
SBUP53	Single Bay Slotted Upright	24 lbs
SBUP53-30	Single Bay Slotted Uprights for 30"w workstations	24 lbs



ACCESSORIES UPRIGHTS



Double Bay Slotted Uprights, 60" Spacing

CAPACITY: 375 lbs

- Accept all above-surface accessories
- Compatible with cantilevered workstations at least 60" wide
- Top cross brace provides added stability


	PART NO.	DESCRIPTION	WEIGHT
	DBUP53	Double Bay Slotted Uprights	38 lbs



Triple Bay Slotted Uprights, 90" Spacing

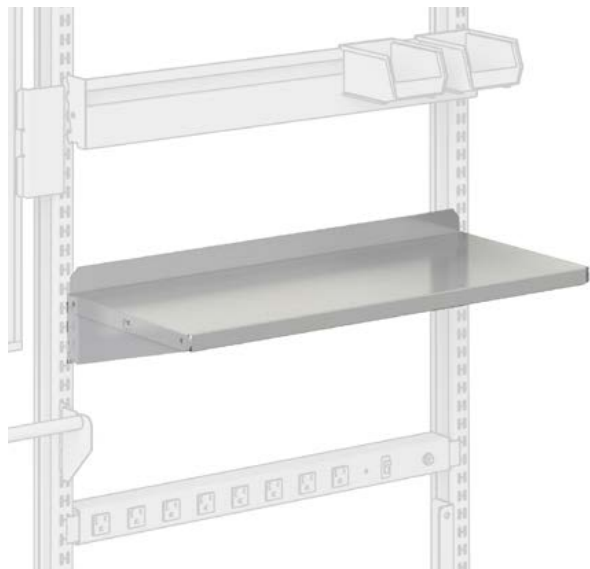
CAPACITY: 375 lbs

- Accept all above-surface accessories
- Compatible with 96" wide cantilevered workstations
- Top cross braces provide added stability

	PART NO.	DESCRIPTION	WEIGHT
	TBUP53	Triple Bay Slotted Uprights	48 lbs



ACCESSORIES SHELVES



Steel Shelf

CAPACITY SH0830: 75 lbs

CAPACITY SH1230 & SH1530: 100 lbs

- Allows for placement of items within the [reach zones](#)
- Place or move shelves on uprights without tools
- Shelf brackets allow for mounting flat or at a 15° angle and can extend shelf 2" away from upright
- Can be reversed to place lip on front or back of shelf
- Includes two mounting brackets
- Compatible with single, double and triple bay [uprights](#); [trolley](#) and [standing workstation](#) frames
- Accepts steel shelf divider DIV1215 for additional organization

	PART NO.	DESCRIPTION	WEIGHT
Qts	SH0830	8" x 30" Shelf	4.25 lbs
Qts	SH1230	12" x 30" Shelf	7.25 lbs
Qts	SH1530	15" x 30" Shelf	8.5 lbs



Steel Shelf Divider

- Divides and holds items in place
- Mounts on standard SH1230 and SH1530 steel shelves and [under work surface shelving](#) systems
- Simple clip-on design can be secured with a screw
- Infinitely adjustable spacing
- 11 ³/₄"d x 7 ¹/₂"h

	PART NO.	DESCRIPTION	WEIGHT
Qts	DIV1215	Steel Shelf Divider	2 lb



ACCESSORIES SHELVES



Adjustable Shelf with Tilt

CAPACITY: 150 lbs

- Tilting shelf reduces wrist strain when users repeatedly reach for objects
- Place or move shelf on uprights without tools
- Raised edges help hold items in place on incline
- Adjustable tilt, 0° to 25°
- Includes mounting brackets
- AS models compatible with single, double and triple bay [uprights](#); and [standing workstation frames](#)
- ATS models compatible with [trolley frames](#)
- Accepts adjustable shelf divider ASD18 or ASD24 for organization

PART NO.	DESCRIPTION	WEIGHT
AS1828	18" x 28" Shelf	11 lbs
AS2428	24" x 28" Shelf	14 lbs
ATS1828	18" x 28" Trolley Shelf	11 lbs
ATS2428	24" x 28" Trolley Shelf	14 lbs



Adjustable Shelf Divider

- Divides and holds items in place
- $\frac{3}{8}$ " diameter steel divider rod
- Infinitely adjustable spacing
- 18" fits AS1828 and ATS1828 shelves
- 24" fits AS2428 and ATS2428 shelves

PART NO.	DESCRIPTION	WEIGHT
ASD18	8"h x 18"d Adjustable Shelf Divider	1 lb
ASD24	12"h x 24"d Adjustable Shelf Divider	1 lb



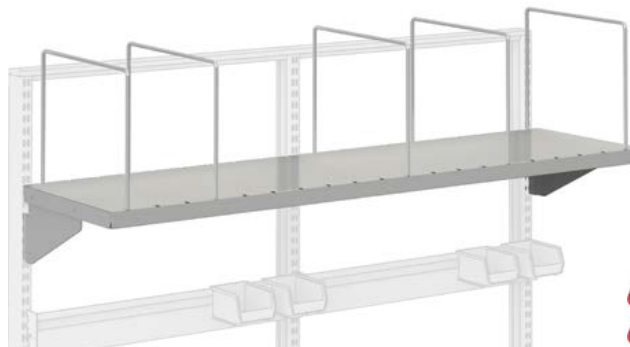
ACCESSORIES SHELVES

Corrugate Storage Shelf

CAPACITY: 100-150 lbs

CSS1530 = 100 lbs CSS1560 & CSS1590 = 150 lbs

- Holds multiple sizes of corrugate boxes - Ideal for packing and shipping workstations
- Accepts optional $\frac{3}{8}$ " CSSDIV rod dividers and CSSDIVP panel dividers
- Includes mounting brackets



Shown with optional CSSDIV

PART NO.	DESCRIPTION	WEIGHT
qts CSS1530	15" x 30" Shelf	17 lbs
qts CSS1560	15" x 60" Shelf	30 lbs
CSS1590	15" x 90" Shelf	46 lbs
qts CSSDIV	12" Corrugate Shelf Divider	1 lb
CSSDIVP	12" Solid Panel Divider	4 lbs

Overhead Storage Cabinet

CAPACITY: 75 lbs

- Provides additional secure storage space for reference materials and other items
- Flip up door
- Includes key lock
- 16"h x 14 $\frac{3}{8}$ "d x 30"w



PART NO.	DESCRIPTION	WEIGHT
SC1630	Storage Cabinet	35 lbs

Work Surface Riser

CAPACITY: 200 lbs

- Provides additional work surface space as needed
- Slotted upright supports (included) mount to [cantilevered](#) workstations and accept accessories
- Includes 3mm laminate surface with brackets
- Maximum clearance under shelf: 18"



PART NO.	DESCRIPTION	WEIGHT
WSR1236	12" x 36" Work Surface Riser	16 lbs
WSR1248	12" x 48" Work Surface Riser	21 lbs
WSR1260	12" x 60" Work Surface Riser	31 lbs
WSR1272	12" x 72" Work Surface Riser	36 lbs
WSR1296	12" x 96" Work Surface Riser	42 lbs

CONTACT US | 989-496-3500

BOSTONtec



ACCESSORIES SHELVES

Steel Foot Shelf

CAPACITY: 150 lbs

- Holds corrugate boxes - Ideal for oversized boxes
- Mounts on cantilevered base frames; sets on top of feet



Steel Foot Shelf for Medium Duty Workstation

- Available for 36", 48", 60", and 72" PB and AF base frames
- Available with or without slots for optional (CFSDIV) rod dividers

PART NO.	DESCRIPTION	WEIGHT
FS1336	13" x 36" Foot Shelf	12 lbs
FS1348	13" x 48" Foot Shelf	16 lbs
FS1360	13" x 60" Foot Shelf	20 lbs
FS1372	13" x 72" Foot Shelf	24 lbs
FSD1336	13" x 36" Foot Shelf with Slots	12 lbs
FSD1348	13" x 48" Foot Shelf with Slots	16 lbs
FSD1360	13" x 60" Foot Shelf with Slots	20 lbs
FSD1372	13" x 72" Foot Shelf with Slots	24 lbs

Steel Foot Shelf for Heavy Duty Workstation

- Available for 36", 48", 60", and 72" PBH and AFH base frames
- Available with or without slots for optional (CFSHDIV) rod dividers

PART NO.	DESCRIPTION	WEIGHT
FSH1136	11" x 36" Foot Shelf	13 lbs
FSH1148	11" x 48" Foot Shelf	17 lbs
FSH1160	11" x 60" Foot Shelf	21 lbs
FSH1172	11" x 72" Foot Shelf	25 lbs
FSHD1136	11" x 36" Foot Shelf with Slots	13 lbs
FSHD1148	11" x 48" Foot Shelf with Slots	17 lbs
FSHD1160	11" x 60" Foot Shelf with Slots	21 lbs
FSHD1172	11" x 72" Foot Shelf with Slots	25 lbs

Corrugate Storage Divider (Optional)

- Add Corrugate Storage Dividers to separate and holds items
- Use in conjunction with corresponding part numbers above
- $\frac{3}{8}$ " diameter steel divider rod

PART NO.	DESCRIPTION	WEIGHT
CFSDIV	13"d x 12"h Corrugate Storage Divider	1 lb
CFSHDIV	11"d x 12"h Corrugate Storage Divider	1 lb



ACCESSORIES SHELVES

Under Work Surface Shelving System

CAPACITY: 100 lbs

- Provides additional storage space for occasional use items
- Mounts under all laminate and hardwood work surfaces at least 30" deep
- Steel shelves adjust in 1" increments
- System ships with one shelf - Additional shelves can be purchased as needed
- Accepts steel shelf divider [DIV1215](#) for additional organization



Shown with additional shelf

Manual Height Adjustable Workstation Shelf System

- Includes two side panels and one shelf
- Compatible with [AF](#) workstation models
- For [AFH](#) workstation models, decrease width by one size (Ex. For an AFH3672 workstation, order UWS1460)

PART NO.	COMPATIBILITY	WEIGHT
UWS1436	AF workstations at least 36" wide with feet	25 lbs
UWS1448	AF workstations at least 48" wide with feet	30 lbs
UWS1460	AF workstations at least 60" wide with feet	35 lbs
UWS1472	AF workstations at least 72" wide with feet	40 lbs
UWSDDF1436	AF workstations at least 36" wide with casters	23 lbs
UWSDDF1448	AF workstations at least 48" wide with casters	28 lbs
UWSDDF1460	AF workstations at least 60" wide with casters	33 lbs
UWSDDF1472	AF workstations at least 72" wide with casters	38 lbs

Electric Height Adjustable Shelf System

- Includes two side panels, a safety back panel and one shelf
- Compatible with [PB](#) workstation models
- For [PBH](#) workstation models, decrease width by one size (Ex. For a PBH3672 workstation, order UWSBP1460)

PART NO.	COMPATIBILITY	WEIGHT
UWSBP1436	PB workstations at least 36" wide with feet	32 lbs
UWSBP1448	PB workstations at least 48" wide with feet	40 lbs
UWSBP1460	PB workstations at least 60" wide with feet	48 lbs
UWSBP1472	PB workstations at least 72" wide with feet	56 lbs
UWSBPDDF1436	PB workstations at least 36" wide with casters	30 lbs
UWSBPDDF1448	PB workstations at least 48" wide with casters	38 lbs
UWSBPDDF1460	PB workstations at least 60" wide with casters	46 lbs
UWSBPDDF1472	PB workstations at least 72" wide with casters	54 lbs

Additional Shelf (Optional)

- Add an additional shelf to an under work surface shelving system
- Use in conjunction with corresponding part numbers above
- For [PBH](#) and [AFH](#) workstation models, decrease width by one size (Ex. For a PBH3672 workstation, order WS1460)

PART NO.	DESCRIPTION	WEIGHT
WS1436	14"d x 36"w, Single shelf for 36" wide stations	12 lbs
WS1448	14"d x 48"w, Single shelf for 48" wide stations	16 lbs
WS1460	14"d x 60"w, Single shelf for 60" wide stations	20 lbs
WS1472	14"d x 72"w, Single shelf for 72" wide stations	24 lbs

ACCESSORIES

COMPUTER ACCESSORIES



Pneumatic Height Adjustable Flat Screen Monitor Arm

CAPACITY: 15.5 lbs

- Provides optimum flexibility to move monitor into position
- Has tilt adjustability for improved viewing angle
- Holds monitor securely in place
- Height adjustability range = 11"
- Extension adjustability range = 22"

PART NO.	DESCRIPTION	WEIGHT
QIS PFSMA	Pneumatic Height Adjustable Flat Screen Monitor Arm	7 lbs

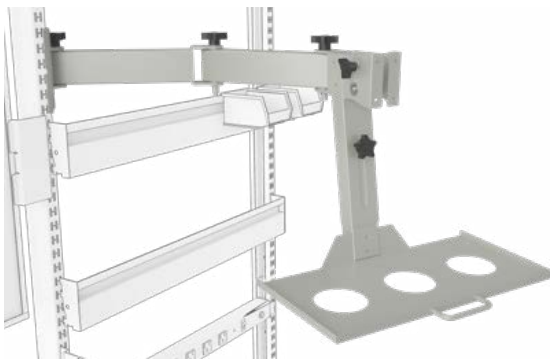


Articulating Flat Screen Monitor Arm

CAPACITY: 18 lbs

- Allows operator to swing monitor out of way when not in use
- Holds monitor securely in place
- Extension adjustability range = 18"

PART NO.	DESCRIPTION	WEIGHT
QIS FPDA	Articulating Flat Screen Monitor Arm	7 lbs



Articulating Combined Monitor and Keyboard Arm

CAPACITY: 20 lbs

- Allows operator to position both monitor and keyboard together then swing out of way when not in use
- Monitor has tilt adjustability for improved viewing angle
- Keyboard platform rotates for easy adjustment
- Tray size 9"d x 18 1/2"w
- 4" vertical adjustment
- Single arm allows 17" total extension from uprights (MKBAAS)
- Double arms allow 29" total extension from uprights (MKBAAD)

PART NO.	DESCRIPTION	WEIGHT
MKBAAS	Combined Monitor and Keyboard Single Arm	15 lbs
MKBAAD	Combined Monitor and Keyboard Double Arm	17 lbs



ACCESSORIES

COMPUTER ACCESSORIES



qts

PART NO.	DESCRIPTION	WEIGHT
PKBAA	Pneumatic Height Adjustable Keyboard Tray w/Mouse Platform	15.5 lbs

Pneumatic Height Adjustable Keyboard Tray with Mouse Platform

CAPACITY: 20 lbs

- Provides optimum flexibility to move keyboard into ergonomic position
- Keyboard tray rotates for easy adjustment
- Holds tray securely in place
- Tray includes 2" padded ergonomic wrist support strip for operator comfort
- Height adjustability range = 11"
- Extension adjustability range = 22"
- Keyboard tray is 10 ½"d x 19"w; Mouse platform is 8 ¾" diameter



qts

PART NO.	DESCRIPTION	WEIGHT
KBAA	Articulating Keyboard Tray w/Mouse Platform	11 lbs

Articulating Keyboard Tray with Mouse Platform

CAPACITY: 18 lbs

- Allows operator to swing keyboard tray out of way when not in use
- Keyboard tray rotates for easy adjustment
- Holds tray securely in place
- Tray includes 2" padded ergonomic wrist support strip for operator comfort
- Extension adjustability range = 18"
- Keyboard tray is 10 ½"d x 19"w; Mouse platform is 8 ¾" diameter



qts

PART NO.	DESCRIPTION	WEIGHT
UWKMS	Under Work Surface Keyboard Tray w/Sliding Mouse Platform	19 lbs

Under Work Surface Keyboard Tray with Sliding Mouse Platform

CAPACITY: 15 lbs

Keyboard Tray

- Mounts under all PB and AF workstations with work surface depths of 30" or greater, and any PBH, AFH, and technical workstations
- 18" track allows operator to access or stow as needed
- 0°-15° tilt
- 7" height adjustability
- Tray size 10.625"d x 19"w
- Includes 19" Technogel palm support

Mouse Platform

- 9" diameter
- 8" slide adjustment
- Left/right adaptable slide mount to suit user preference



ACCESSORIES

COMPUTER ACCESSORIES



Under Work Surface Keyboard and Mouse Tray

CAPACITY: 15 lbs

- Mounts under all PB and AF workstations with work surface depths of 30" or greater, and any PBH, AFH, and technical workstations
- 18" track allows operator to access or stow as needed
- 0°-15° tilt
- 7" height adjustability
- Tray size 10.625"d x 27"w
- Includes 27" Technogel palm support
- Built-in left/right mouse area

PART NO.	DESCRIPTION	WEIGHT
QTS UWKMP	Under Work Surface Keyboard and Mouse Tray	19 lbs



Pull-Out Keyboard Tray

CAPACITY: 40 lbs

- 13" slides allows operator to access or stow as needed
- 2 ¼" height clearance for keyboard

14" Deep Tray:

- Mounts under all laminate and hardwood work surfaces
- Full extension ball bearing slides

18" Deep Tray:

- Mounts under all laminate and hardwood work surfaces at least 30" deep
- ¾" extension ball bearing slides

PART NO.	DESCRIPTION	WEIGHT
POK2114	14"d x 21"w Pull-Out Keyboard Tray	13 lbs
POK2118	18"d x 21"w Pull-Out Keyboard Tray	16 lbs



Articulating Platform Arm

CAPACITY: 40 lbs

- Provides easy, quick access to items then swings out of way when not in use
- Rotates 360°
- Extension adjustability range = 22" (to platform center)

PART NO.	DESCRIPTION	WEIGHT
PH1313	13" x 13" Platform	10 lbs
PH1322	13" x 22" Platform	11 lbs



ACCESSORIES

COMPUTER ACCESSORIES



CPU12



CPU20

Under Work Surface CPU Holders

CAPACITY CPU12: 15 lbs

CAPACITY CPU20: 50 lbs

- Securely holds CPU off of floor and provides easy access when needed
- Easy installation via Quick Lock Technology
- Adjusts to fit CPUs 1"-5"w by 6"-12"h (CPU12)
- Adjusts to fit CPUs 3½"-9"w by 12"-20"h (CPU20)
- Slides smoothly on nylon glides in 16" track
- 360° degree swivel allows access to cables and ports
- Mounts under all laminate and hardwood work surfaces at least 30"d

	PART NO.	DESCRIPTION	WEIGHT
QTS	CPU12	CPU Holder	9 lbs
QTS	CPU20	CPU Holder	11 lbs



CPU Holder - Thin Client

CAPACITY: ≤ 10 lbs (Upright mounted)

CAPACITY: ≤ 15 lbs (Monitor plus CPU total)

- Wrap around design provides easy access when needed
- Mounts on standard uprights
- Standard VESA mounting pattern (75 x 75mm and 100 x 100mm sizes)
- Upright mounting brackets included
- Security strap included
- Screws to mount to monitor are included
- Adjusts to fit CPUs 1¼"-2½"d x 4"-8"h (suggested min-max width: 4 ½"-10")
- Color: Black
- See BOSTONtec monitor arms for more information

	PART NO.	DESCRIPTION	WEIGHT
QTS	CPUTC	CPU Holder Thin Client	3 lbs



ACCESSORIES POWER & LIGHTS



PART NO.	DESCRIPTION	WEIGHT
QTS PWRBAR815SB	Horizontal 8-Outlet Power Bar, 15A	6 lbs
QTS PWRBAR820SB	Horizontal 8-Outlet Power Bar, 20A	6 lbs

8-Outlet Horizontal Power Bars

- Keeps power within reach for easy end of day shut down of tools and lights
- Mounts on standard uprights at any horizontal position, front or back
- Standard black powder coat finish
- 8 AC power outlets (120 VAC, 15A or 20A)
- Circuit breaker and lighted on/off switch
- UL and CSA listed and approved
- Cord length: 15 feet
- Locking brackets secure power bar to uprights
- Locking plug cord options available upon request



Horizontal Power Bar Work Surface Mount

- Mounts power bar to work surface for easy access, no uprights required
- Mounts above or below work surface

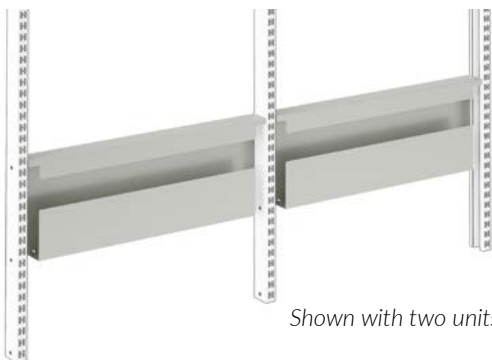
PART NO.	DESCRIPTION	WEIGHT
HPBWM	Power Bar Work Surface Mount (Pair)	1 lb



PART NO.	DESCRIPTION	WEIGHT
PB6OUTH	Horizontal Power Bar	4 lbs
PB6OUTV	Vertical Power Bar	4 lbs

6-Outlet Power Bars

- Keeps power within reach for easy end of day shut down of tools and lights
- Extruded aluminum housing
- 6 AC power outlets (115 VAC 15A)
- Circuit breaker and lighted switch
- UL and CSA listed and approved
- Length of power cord: 15 feet
- Horizontal power bar mounts to underside of work surface
- Vertical power bar mounts on standard uprights



Shown with two units

Wire Management Trough

CAPACITY: 10 lbs

- Keeps electrical wires off surface providing additional work space
- Hides wires for neater workstation appearance
- Optional forward or backward facing mount
- Mount below work surface and behind workstation to further conceal wires
- 10" h x 30" w

PART NO.	DESCRIPTION	WEIGHT
WT0210	Wire Management Trough	10 lbs



ACCESSORIES POWER & LIGHTS

Air Outlet Mounting Plate

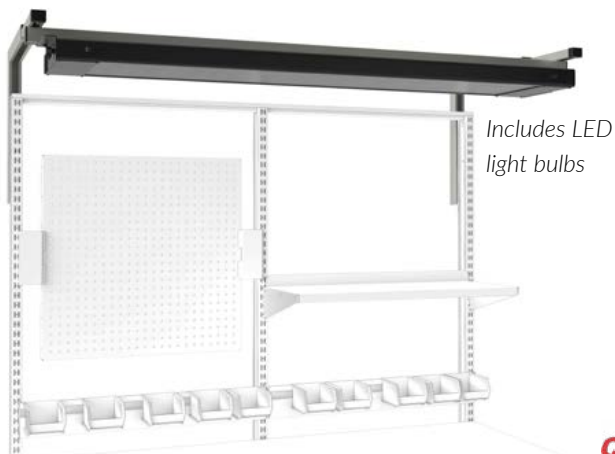
- Mounts on top or underside of worksurface or powerbar ([PWRBAR815SB](#)/[PWRBAR820SB](#))
- Plate supports three air outlets
- Customer to determine mounting location and drill holes



PART NO.	DESCRIPTION	WEIGHT
AIR	Air Mounting Plate	1 lb

LED Overhead Light

- Provides additional lighting directly over work surface
- Includes "L" bracket and tool track for mounting light
- Support extends up to 18" from uprights
- 4000 Kelvin temperature
- 2-bulb is available in 56" long housing
- 4-bulb is available in 32" and 56" long housing
- Optional parabolic filter directs light over the work surface (shown in inset)
- Pair with power bar [PWRBAR815SB](#) or [PWRBAR815SB](#) for convenient on/off feature



PART NO.	DESCRIPTION
qts LED243248	LED Overhead Light (4) 24" Bulbs, 48" Tool Track
qts LED225660	LED Overhead Light (2) 48" Bulbs, 60" Tool Track
qts LED225672	LED Overhead Light (2) 48" Bulbs, 72" Tool Track



Optional Parabolic Filter

PART NO.	DESCRIPTION	WEIGHT
LEDPF32	Parabolic Filter for 32" Housing	1 lb
LEDPF56	Parabolic Filter for 56" Housing	1 lb

BUILD YOUR PART NUMBER

LED2256P60

Prefix

Number of
bulbs

Length of
housing

Parabolic filter
(optional)

Length of
tool track



ACCESSORIES POWER & LIGHTS



Task Light

- Additional light for detailed tasks; reduces eye strain
- 12-watt LED light
- Comes with standard 5000 Kelvin temperature;
- Electronic ballast
- Extension adjustability range = 35"
- On and off buttons on lamp head
- Touch DIM and multi-function switch
- Includes work surface edge mounting clamp and upright mounting clamp [WTLM](#)
- CE and ETL listed

PART NO.	DESCRIPTION	WEIGHT
WTL136	Waldmann Task Light	4.4 lbs



LTLM

WTLM

Task Light Mounting Clamps

- Mount Waldmann or Luxo lamps to uprights saving work surface space
- Adjust vertically in 1" increments
- Include clamp assembly only

PART NO.	DESCRIPTION	WEIGHT
WTLM	Waldmann Task Light Mounting Clamp	3 lbs
LTLM	Luxo Task Light Mounting Clamp	2 lbs

LED Under Shelf Light

- Provides increased visibility and lighting for detailed tasks such as medical device assembly and testing/research
- Built-in on/off switch with infinite dimming capability
- 65-watt power supply and jumper cords
- Mounts underneath shelf; screw and magnetic mounting clips included
- One task light recommended per shelf



PART NO.	DESCRIPTION	WEIGHT
TLXXXX17	17"w Task Light	2 lbs
TLXXXX31	31"w Task Light	4 lbs



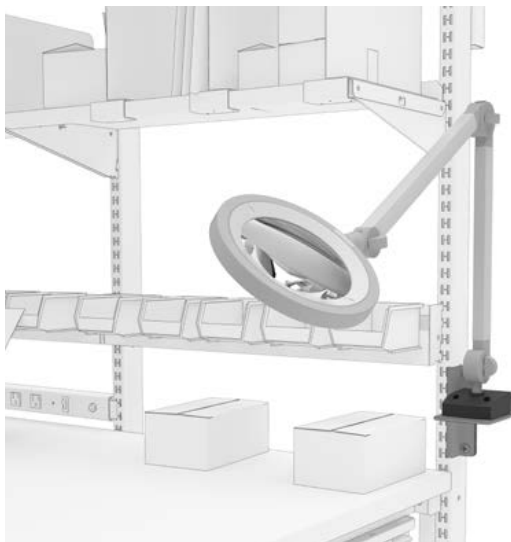
ACCESSORIES POWER & LIGHTS



Max Magnifier

- Provides maximum light and magnification for detailed tasks; reduces eye strain
- Uses three 3.5-watt LED modules for two light levels
- 3 diopter primary lens included, tilts independently of the light for optimal positioning
- 4 and 4-12 diopter accessory lens available
- Extension adjustability range = 43"
- Includes work surface edge mounting clamp and upright mounting clamp [WTLM](#)
- ETL listed

PART NO.	DESCRIPTION	WEIGHT
WPML26	Max Magnification Lamp	31 lbs
WPM4	Max 4 Diopter Accessory Lens	3 lbs
WPM412	Max 4-12 Diopter Accessory Lens	3 lbs



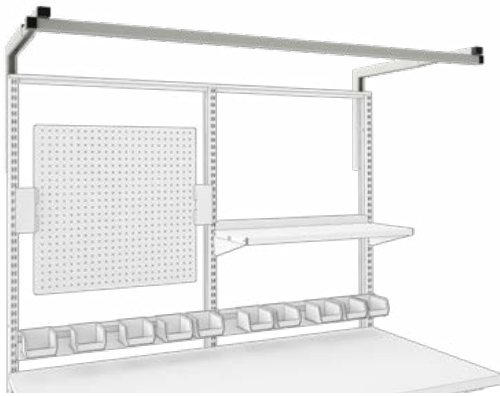
LED Ring Magnifier

- Additional light and magnification for detailed tasks; reduces eye strain
- 12-watt LED technology
- Includes 3.5 diopter primary lens
- Extension adjustability range = 37"
- Includes work surface edge mounting clamp and upright mounting clamp [WTLM](#)

PART NO.	DESCRIPTION	WEIGHT
RMLED	LED Circular Magnification Lamp	5 lbs



ACCESSORIES TOOL SUPPORT

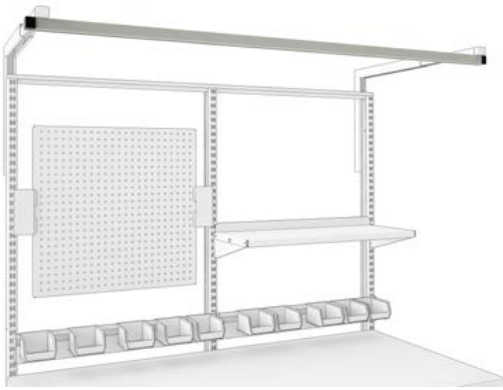


Overhead Tool Support

CAPACITY: 35 lbs

- Provides support for tool trolley and tool balancer
- Includes "L" brackets for mounting to uprights

PART NO.	DESCRIPTION	WEIGHT
OTS36	36" Rail	16 lbs
OTS48	46" Rail	17 lbs
OTS60	60" Rail	18 lbs
OTS72	70" Rail	19 lbs
OTS96	94" Rail	32 lbs



Auxiliary Tool Track

CAPACITY: 35 lbs

- Mounts on overhead tool tracks OTS and LED light models
- Provides support for tool trolley and tool balancer
- Does not include "L" brackets

PART NO.	DESCRIPTION	WEIGHT
ATT36	36" Rail	5 lbs
ATT48	46" Rail	6 lbs
ATT60	60" Rail	7 lbs
ATT72	70" Rail	8 lbs
ATT96	94" Rail	11 lbs



Tool Trolley

- Fits standard tool rail OTS and ATT tool track models
- Supports TBBD03 tool balancer
- Color: Black

Tool Balancer

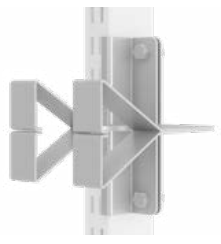
CAPACITY: 1.5 - 3 lbs Balance Range

- 360° rotation swivel mount
- Palm hand wheel adjustment
- Push button tension release
- Nylon covered steel cable assembly
- Adjustable drag brake fine tunes balancing
- Adjustable bail stop on cable
- Color: Black

PART NO.	DESCRIPTION	WEIGHT
TBT	Tool Balancer Trolley	2 lbs
TBBD03	Tool Balancer	1 lb



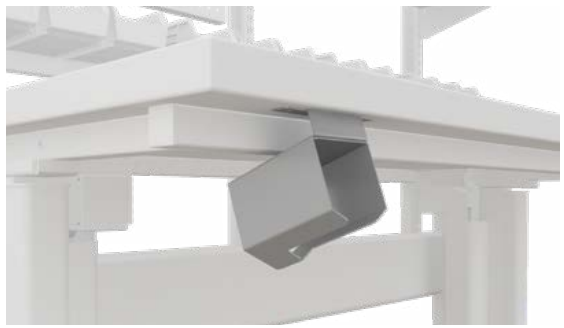
ACCESSORIES TOOL SUPPORT



Upright Mounted Scanner Bracket

- Helps keep scanner within easy reach
- The 1.57" wide opening fits most handheld scanners
- Easily adjusted bracket positioning (Left/right side mount adaptable)

PART NO.	DESCRIPTION	WEIGHT
UMSB	Upright Mounted Scanner Bracket	2 lbs



Power Tool Holder

- Helps keep power tools within easy reach
- Fits most handheld drills and impact drivers
- Easily adjusted holder positioning
- Attaches to all work surface options and workstations
- Compatible with SS and WSR shelving (Max. of 2 holders per shelf)

PART NO.	DESCRIPTION	WEIGHT
PTH	Power Tool Holder	2 lbs



Bin Rail

CAPACITY: 40 lbs

- Keeps small items sorted and within reach
- Supports assorted size storage bins
- Horizontal or 15° forward-tilted positioning for easy bin access
- 29"w x 4"h



PART NO.	DESCRIPTION	WEIGHT
BR0429	Bin Rail	4 lbs



Solder Spool Holder

- Holds one roll of solder or wire
- Mounts on bin rail BR0429
- Multiples can mount side by side

PART NO.	DESCRIPTION	WEIGHT
SSH	Solder Spool Holder	.25 lbs



Chemical and Tool Tray

- Holds standard small bottles of chemicals and small hand tools
- Mounts on bin rail BR0429
- 5"w x 5"d box, 12"w x 5"d overall
- Multiples can mount side by side

PART NO.	DESCRIPTION	WEIGHT
CTT512	Chemical and Tool Tray	1 lb

CONTACT US | 989-496-3500





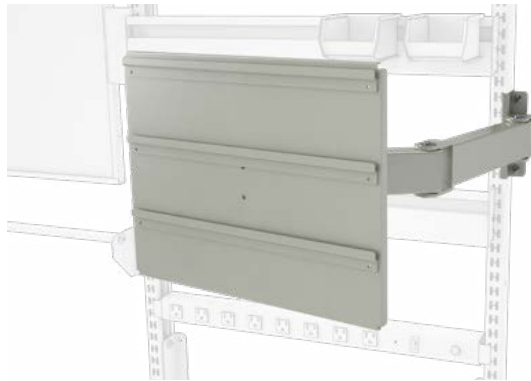
ACCESSORIES TOOL SUPPORT



Bin Rail Wipe and Tissue Holder

- Keeps cleaning wipes within reach
- Mounts on bin rail BRO429
- Holds one standard wipe or tissue package
- Tissue box can be inverted enabling tissues to be removed downward

PART NO.	DESCRIPTION	WEIGHT
KWH000	Wipe Holder	.5 lbs



Articulating Bin Holder

CAPACITY: 40 lbs

- Places small items within reach when needed, then swing out of the way when not in use
- Supports assorted size storage bins
- Three bin support rails are permanently positioned
- Bin support panel swivels
- Mounts on right or left side of uprights
- 18"w x 14"h
- Extension adjustability range = 24"

PART NO.	DESCRIPTION	WEIGHT
BH1420	Articulating Bin Holder	9 lbs



Keyboard Tray for Bin Rail Mount

CAPACITY: 6 lbs

- Attaches to bin rail [BRO429](#) to support a standard keyboard at a 15° tilt
- Tray size 7" d x 19"w

PART NO.	DESCRIPTION	WEIGHT
KT1907S	Keyboard Tray for Bin Rail	3 lbs



Overhead Spool Holder

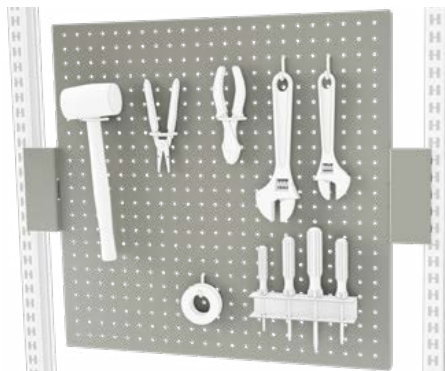
CAPACITY: 50 lbs

- Keeps bubble wrap easily accessible to operator
- 30" rod length for uprights [SBUP53](#); 60" rod length for [DBUP53](#) and [TBUP53](#)
- Accepts rolls up to 36" in diameter
- Compatible with [trolleys](#)

PART NO.	DESCRIPTION	WEIGHT
OSH3030	30" Overhead Spool Holder	15 lbs
OSH3060	60" Overhead Spool Holder	18 lbs



ACCESSORIES TOOL SUPPORT



Peg Board

CAPACITY: 40 lbs

- Helps keep tools, keys and other supplies within reach and frees up work space
- Accepts standard peg board accessories
- Includes mounting brackets

PART NO.	DESCRIPTION	WEIGHT
BS2428P	24" x 28" Peg Board	4 lbs

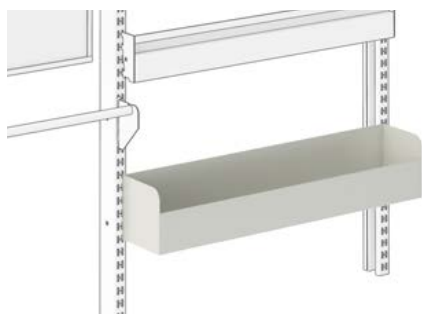


Paper Holder and Cutter

CAPACITY: 75 lbs

- Convenient all-in-one holder/cutter for packing and wrapping paper
- Accepts rolls up to 30" wide and 9" diameter

PART NO.	DESCRIPTION	WEIGHT
PHC830	Paper Holder and Cutter	10 lbs



Label Holder Trough

CAPACITY: 40 lbs

- Perfect for holding label rolls, cleaning supplies, small tools and other necessities
- Keeps items off surface providing additional work space
- 5"h x 5"d x 30"w

PART NO.	DESCRIPTION	WEIGHT
LH0530	Label Holder Trough	10 lb



Spool/Label Roll Holder Rod

CAPACITY: 50 lbs

- Holds rolls of tape or labels
- 3/4" tube

PART NO.	DESCRIPTION	WEIGHT
SHR830	Spool Holder Rod	1 lb



ACCESSORIES STORAGE



Steel Drawers

14" Deep Drawers:

- Mounts under cantilevered workstations 24" to 36" deep and center-justified workstations 48" deep
- Full extension roller drawer slides allow drawers to extend 14"

18" Deep Drawers:

- Mounts under cantilevered workstations 30" and 36" deep
- ¾" extension roller drawer slides allow drawers to extend 13 ½"
- Includes mounting brackets and key lock
- File folders fit in lateral drawers DRWF612 and DRWF12 only
- Contact BOSTONtec for additional configurations

Single Drawers

CAPACITY: 60 lbs

	PART NO.	DESCRIPTION	WEIGHT
	DRW2403	3"h x 14"d x 12"w	12 lbs
qts	DRW03	3"h x 18"d x 12"w	15 lbs
	DRW2406	6"h x 14"d x 12"w	14 lbs
qts	DRW06	6"h x 18"d x 12"w	17 lbs
	DRW2412	12"h x 14"d x 12"w	16 lbs
qts	DRW12	12"h x 18"d x 12"w	19 lbs
qts	DRWF12	12"h x 18"d x 12"w, Lateral File	19 lbs

Popular Stacked Combinations

CAPACITY: 100 lbs

	PART NO.	DESCRIPTION	WEIGHT
	DRW2426	2-6"h Drawers Stacked, 12"h x 14"d x 12"w	30 lbs
qts	DRW26	2-6"h Drawers Stacked, 12"h x 18"d x 12"w	36 lbs
	DRW24612	1-6"h Drawer and 1-12"h Drawer Stacked, 18"h x 14"d x 12"w	34 lbs
qts	DRW612	1-6"h Drawer and 1-12"h Drawer Stacked, 18"h x 18"d x 12"w	39 lbs
qts	DRWF612	1-6"h Drawer and 1-12"h Lateral File Drawer Stacked, 18"h x 18"d x 12"w	39 lbs
	DRW24212	2-12"h Drawers Stacked, 24"h x 14"d x 12"w	42 lbs
qts	DRW212	2-12"h Drawers Stacked, 24"h x 18"d x 12"w	45 lbs
	DRW2436	3-6"h Drawers Stacked, 18"h x 14"d x 12"w	45 lbs
qts	DRW36	3-6"h Drawers Stacked, 18"h x 18"d x 12"w	54 lbs
	DRW243612	1-3"h Drawer, 1-6"h Drawer and 1-12"h Drawer Stacked, 21"h x 14"d x 12"w	45 lbs
qts	DRW3612	1-3"h Drawer, 1-6"h Drawer and 1-12"h Drawer Stacked, 21"h x 18"d x 12"w	54 lbs

BOSTONtec



CONTACT US | 989-496-3500



ACCESSORIES STORAGE



Drawer Cubby

CAPACITY: 40 lbs

- Great for storage of personal items to free up work surface space
- 14" deep: Mounts under work surfaces 24" and 48" deep
- 18" deep: Mounts under work surfaces 30" and 36" deep
- Includes mounting brackets
- Use alone or with [DRW](#) drawer models
- Order drawer separately
- 19"h x 18"d x 12"w

PART NO.	DESCRIPTION	WEIGHT
DC2412	Drawer Cubby, 19"h x 14"d x 12"w	13 lbs
DC12	Drawer Cubby, 19"h x 18"d x 12"w	17 lbs

Steel Pull-Out Work Surface

CAPACITY: 40 lbs

- Provides on-demand additional work surface space
- Mounts under work surfaces at least 30" deep
- $\frac{3}{4}$ " extension ball bearing slides allows surface to extend 13 $\frac{1}{2}$ "

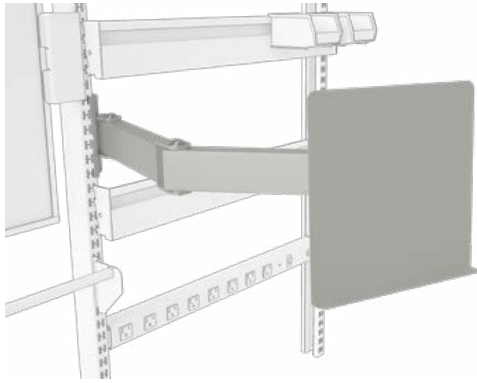
PART NO.	DESCRIPTION	WEIGHT
PO1118	Work Surface Pullout 11" x 18"	10 lbs





ACCESSORIES

OTHER POPULAR ACCESSORIES

**Articulating Document Holder****CAPACITY: 15 lbs**

- Allows user to properly place printed materials to improve neck posture
- Mounts on left or right side of uprights
- Tilt adjustment: 20° to 90°
- Extension adjustability range = 24"

PART NO.	DESCRIPTION	WEIGHT
DH1111	11" x 11" Document Holder	7 lbs
DH1420	14" x 20" Document Holder	8 lbs

**Clothes Hanger Arm****CAPACITY: 25 lbs**

- Add to workstation uprights or trolley to hang garments for packaging or returns
- Swivels out of way when not in use
- Extension = 11"

PART NO.	DESCRIPTION	WEIGHT
URCH	11" Clothes Hanger Rod	1 lb

**Work Surface Backstop**

- Helps keep items on work surface and within reach
- 6" high backstop for the rear of work surface
- Backstops are 2" less than work surface width
- Compatible with premium laminate 3M, post formed PF, stainless steel SS, and maple MS work surfaces
- Contact BOSTONtec for phenolic resin option PR

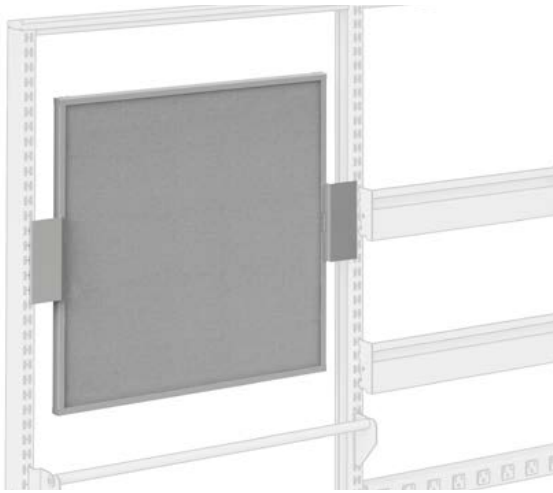
PART NO.	DESCRIPTION	WEIGHT
BS0636	34"w for 36"w work surface	8 lbs
BS0648	46"w for 48"w work surface	10 lbs
BS0660	58"w for 60"w work surface	13 lbs
BS0672	70"w for 72"w work surface	15 lbs

* Add "T" to end of part number for T-Mold work surfaces



ACCESSORIES

OTHER POPULAR ACCESSORIES

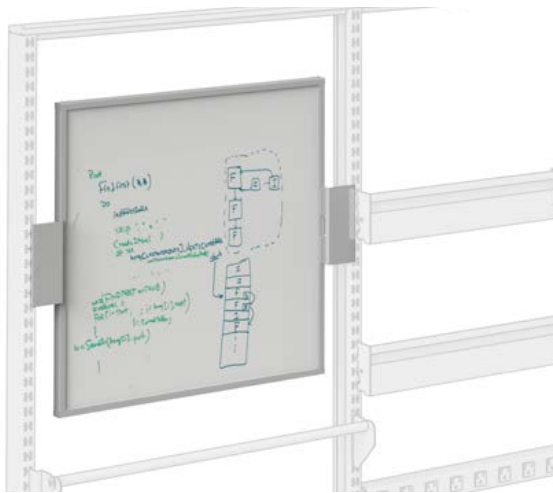


Backscreen

- For tacking work instructions and other important reference information
- Steel frame
- Includes mounting brackets
- Tack-able light gray fabric panel. Other colors available on request
- Available with ESD fabric



PART NO.	DESCRIPTION	WEIGHT
BS2428	24" x 28" Backscreen	4 lbs
BSE2428	24" x 28" ESD Backscreen	4 lbs



White Board & Magnetic Board

- Keep to-do lists and important notes easily visible
- Steel frame
- Includes mounting brackets



PART NO.	DESCRIPTION	WEIGHT
BS2428W	24" x 28" White Board	4 lbs
BS2428M	24" x 28" Magnetic White Board	4 lbs



ACCESSORIES

OTHER POPULAR ACCESSORIES

Attached Footrest

- Provides consistent ergonomic comfort when sitting
- Mounts on cantilevered workstations
- Finished with textured black powder coat paint for slip resistant surface



AFR Model



PBFR Model

**Retrofitted and Factory Installed**

- Compatible with AF, AFH, PB & PBH model workstations
- Fixed 15° tilt
- Adjustable on workstation foot; slides front to back

PART NO.	DESCRIPTION	WEIGHT
AFR1236	12" x 24" Platform on 36" Base	14 lbs
AFR1248	12" x 30" Platform on 48" Base	18 lbs
AFR1260	12" x 48" Platform on 60" Base	22 lbs
AFR1272	12" x 48" Platform on 72" Base	26 lbs

Factory Installed Only

- Compatible with AF and PB model workstations
- Adjustable tilt up to 30°
- For workstations with casters, consult your sales representative

PART NO.	DESCRIPTION	WEIGHT
PBFR1036	8" x 24"	16 lbs
PBFR1048	8" x 36"	20 lbs
PBFR1060	8" x 48"	24 lbs
PBFR1072	8" x 60"	29 lbs

Factory Installed Only

- Compatible with AFH and PBH model workstations
- Adjustable tilt up to 30°
- For workstations with casters, consult your sales representative

PART NO.	DESCRIPTION	WEIGHT
PBHFR1036	8" x 19"	16 lbs
PBHFR1048	8" x 31"	20 lbs
PBHFR1060	8" x 43"	24 lbs
PBHFR1072	8" x 55"	29 lbs

Free Standing Footrest

- Provides movable, on-demand ergonomic comfort when sitting
- Adjustable tilt up to 25°
- 8" of platform height adjustability
- Finished with textured black powder coat paint for slip resistant surface

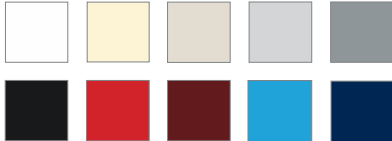
PART NO.	DESCRIPTION	WEIGHT
FSFR	Free Standing Footrest	15 lbs

QUICKSHIP

SHIPS IN 5 DAYS!*

* business days

- Light gray laminate work surfaces
- Powder coat color selection options:



- For quantities of 5 or less

(For quantities greater than 5, consult BOSTONtec.)



Workstations

PART NO.	HEIGHT ADJUSTABLE WORKSTATIONS
PB3048	30"d x 48"w, Medium Duty - Electric
PB3060	30"d x 60"w, Medium Duty - Electric
PB3072	30"d x 72"w, Medium Duty - Electric
PB3648	36"d x 48"w, Medium Duty - Electric
PB3660	36"d x 60"w, Medium Duty - Electric
PB3672	36"d x 72"w, Medium Duty - Electric
PBH3048	30"d x 48"w, Heavy Duty - Electric
PBH3060	30"d x 60"w, Heavy Duty - Electric
PBH3072	30"d x 72"w, Heavy Duty - Electric
PBH3648	36"d x 48"w, Heavy Duty - Electric
PBH3660	36"d x 60"w, Heavy Duty - Electric
PBH3672	36"d x 72"w, Heavy Duty - Electric
AFH3048	30"d x 48"w, Heavy Duty - Manual
AFH3060	30"d x 60"w, Heavy Duty - Manual
AFH3072	30"d x 72"w, Heavy Duty - Manual
AFH3648	36"d x 48"w, Heavy Duty - Manual
AFH3660	36"d x 60"w, Heavy Duty - Manual
AFH3672	36"d x 72"w, Heavy Duty - Manual

Work Surfaces

PART NO.	PREMIUM GRADE LAMINATE
3M3048G	30"d x 48"w
3M3060G	30"d x 60"w
3M3072G	30"d x 72"w
3M3648G	36"d x 48"w
3M3660G	36"d x 60"w
3M3672G	36"d x 72"w

Feet or Casters

WORKSTATION MODEL	DEPTH	LEVELER FEET	CASTERS (4 LOCKING)
PB	30	FA30G	FE30G
	36	FA36G	FE36G
PBH	30	FA30I	FE30I
	36	FA36I	FE36I
AFH	30	FA30C	FE30C
	36	FA36C	FE36C

CONTACT US | 989-496-3500



QUICKSHIP

WORKSTATIONS





PART NO.	DESCRIPTION
SBUP53	Single Bay Slotted Uprights

PART NO.	DESCRIPTION
DBUP53	Double Bay Slotted Uprights

PART NO.	DESCRIPTION
TBUP53	Triple Bay Slotted Uprights



DIV1215



CSSDIV



PART NO.	DESCRIPTION
SH0830	Steel Shelf, 8"d x 30"w
SH1230	Steel Shelf, 12"d x 30"w
SH1530	Steel Shelf, 15"d x 30"w
DIV1215	Steel Shelf Divider, SH1230 & SH1530 Compatible

PART NO.	DESCRIPTION
CSS1530	Corrugate Storage Shelf, 15"d x 30"w
CSS1560	Corrugate Storage Shelf, 15"d x 60"w
CSSDIV	Corrugate Storage Shelf Divider

PART NO.	DESCRIPTION
PFSMA	Pneumatic Height Adjustable Flat Screen Monitor Arm



PART NO.	DESCRIPTION
FPDA	Articulating Flat Screen Monitor Arm



PART NO.	DESCRIPTION
CPUTC	CPU Holder Thin Client



PART NO.	DESCRIPTION
CPU12	CPU Holder
CPU20	CPU Holder



PART NO.	DESCRIPTION
PKBAA	Pneumatic Height Adjustable Keyboard Tray w/Mouse Platform



PART NO.	DESCRIPTION
KBAA	Articulating Keyboard Tray w/Mouse Platform



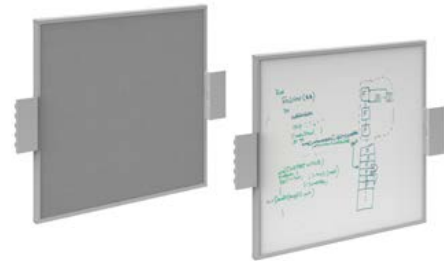
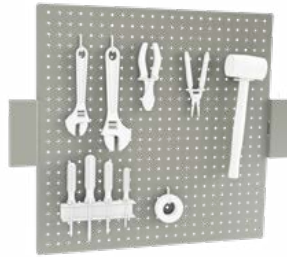
PART NO.	DESCRIPTION
UWKMS	Under-WS Keyboard Tray w/Sliding Mouse Platform
UWKMP	Under Work Surface Keyboard & Mouse Tray



PART NO.	DESCRIPTION
LED243248	LED Overhead Light (4) 24" Bulbs, 48" Tool Track
LED225660	LED Overhead Light (2) 48" Bulbs, 60" Tool Track
LED225672	LED Overhead Light (2) 48" Bulbs, 72" Tool Track

PART NO.	DESCRIPTION
PWRBAR815SB	Horizontal 8-Outlet Power Bar, 15A
PWRBAR820SB	Horizontal 8-Outlet Power Bar, 20A

PART NO.	DESCRIPTION
BR0429	Bin Rail



PART NO.	DESCRIPTION
SHR830	Pool Holder Rod

PART NO.	DESCRIPTION
BS2428P	24" x 28" Peg Board

PART NO.	DESCRIPTION
BS2428	24" x 28" Backscreen
BS2428W	24" x 28" White Board



PART NO.	DESCRIPTION
FSFR	Free Standing Footrest

PART NO.	DESCRIPTION
DRW03	Single Steel Drawer, 3"h x 18"d x 12"w
DRW06	Single Steel Drawer, 6"h x 18"d x 12"w
DRW12	Single Steel Drawer, 12"h x 18"d x 12"w
DRWF12	Single Steel Drawer, 12"h x 18"d x 12"w, Lateral File

PART NO.	DESCRIPTION
DRW26	2-6"h Drawers Stacked, 12"h x 18"d x 12"w
DRW612	1-6"h & 1-12"h Drawers Stacked, 18"h x 18"d x 12"w
DRWF612	1-6"h & 1-12"h Lateral File Drawers Stacked, 18"h x 18" d x 12"w
DRW212	2-12"h Drawers Stacked, 24"h x 18"d x 12"w
DRW36	3-6"h Drawers Stacked, 18"h x 18"d x 12"w
DRW3612	1-3"h, 1-6"h, & 1-12"h Drawers Stacked, 21"h x 18"d x 12"w

LABORATORY

MEDICAL DEVICE ASSEMBLY

PHARMACEUTICALS

HEALTHCARE

EDUCATION



Laboratory workstations are compatible with accessories within the laboratory section only.

BOSTONtec



LABORATORY

Build Your Own Workstation in 4 Simple Steps!

1
Select
Workstation
Base Frame

2
Select
Feet or Casters
Type

3
Select
Work Surface
Type

4
Select
Accessories

Typical Laboratory Workstation





LABORATORY HEIGHT ADJUSTABLE WORKSTATIONS

Electric Height Adjustable Laboratory Workstation

This workstation is ideal for multiple users and maximum configurability in a fast paced lab environment. Work surface height is easily adjustable at the touch of a button.



Load Capacity
1,200 lbs* | **ELECTRIC**

Manual Height Adjustable Laboratory Workstation

This frame is best for single-shift, single-operator applications where frequent height changes are not required. Height adjustments are made by removing the locking hand screw, repositioning the telescoping leg to the desired height and replacing the locking hand screw.



Load Capacity
1,200 lbs* | **MANUAL**

FEATURES:

- Cantilevered style leg ensures ample leg room
- Designed to support 5th to 95th percentile operators in a sitting or standing posture
- Adjusts 28" to 44" without work surface
- Programmable switch provides digital height read-out and preset adjustability
- Electric style has dual-synchronized linear actuators with integral limit switches, 12 VDC low voltage control
- Supports [ADA compliance](#)
- White epoxy powder coat finish
(Additional colors available)
- [Work surface](#) and [accessories](#) ordered separately; not compatible with Industrial and Office accessories.

FEET AND CASTERS



Leveler Feet

- Allow user to level workstation on uneven surfaces
- Leveler glides included
- Shown above on LMC model



Universal Locking Casters

- All 4 locking casters
- Polyurethane on polyolefin wheel
- 5.12" overall height; 4" wheel
- Non-marking



Universal Leveling Casters

- Nylon wheel; rubber leveling pad
- 2 1/2" wheel; 4 1/2" overall height
- Non-marking

See [chart](#) for foot and caster ordering information.

BUILD YOUR PART NUMBER

Electric: LPC **Manual:** LMC

Available in depths: 30" | 36"

Available in widths: 36" | 48" | 60" | 72"

Additional sizes available upon request

*Based on evenly distributed loads

LPC3060

Prefix Depth Width
(based on work surface size)

BOSTONtec



CONTACT US | 989-496-3500



LABORATORY UTILITY TABLES



Laboratory Utility Table

This sturdy, four-post workstation is available with leg extensions or casters. The leg extensions are inserted inside the workstation legs and secured with machine screws.

FEATURES:

- Ships knocked down (KD)
- White epoxy powder coat finish
(Additional colors available)
- Work surface and accessories ordered separately; not compatible with Industrial and Office accessories.

Utility Table with Leg Extensions and Leveler Glides (LUE)

- 8" of height adjustment
- Includes leveler glides and leg extensions

Utility Table with Casters (LUC)

- Fixed height
- Includes 2-locking and 2-non-locking casters
- 3" polyurethane casters
- Increases mobility



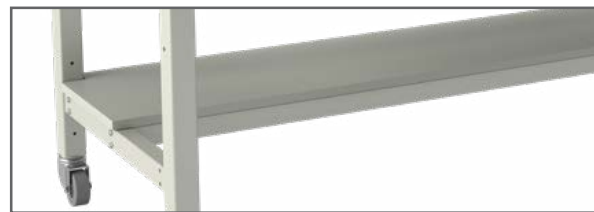
Load Capacity | LUE
1,000 lbs*



Load Capacity | LUC
600 lbs*

Under Work Surface Shelving

- Provides additional storage for occasional use items
- Available in half or full depth
- Choice of Phenolic Resin, Epoxy or Laminate surface



BUILD YOUR PART NUMBER

LUE: Utility table with Leveler Glides and Leg Extensions

LUC: Utility Table with Swivel Casters

Available in heights: 30" | 36"

Available in depths: 30" | 36"

Available in widths: 36" | 48" | 60" | 72"

Additional sizes available upon request

**Based on evenly distributed loads*

LUC303660

Prefix

Height

Depth

Width

(based on work surface size)

CONTACT US | 989-496-3500



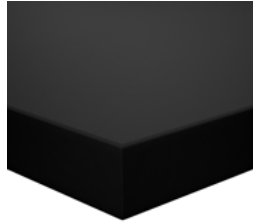


LABORATORY WORK SURFACES

Premium Grade Laminate

This highly durable work surface is constructed with a top layer of 1/4" thick laminate over 1 1/8" high density core board.

Standard Edge



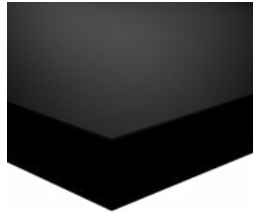
All four sides are edged with a high-impact-resistant 3mm thick PVC edging in a complementary color. Finished with a 2mm radius.

Stainless Steel



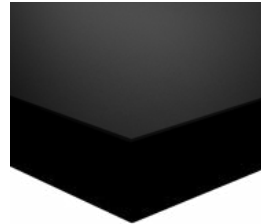
Durable and chemical-resistant, 1 1/2" stainless steel work surfaces are constructed of 304 grade, 14 gauge stainless steel formed over a sealed laminated core board. Work surface comes with a 2B random brushed finish and is non-reflecting.

Phenolic Resin



Solid phenolic is a high-pressure, thermoset resin composite, chemical-resistant material. It is nonporous and non-conductive with high impact resistance and superior structure strength.

Epoxy



A monolithic thermosetting material composed of modified epoxy resin and a fine filler material. This material exhibits exceptional structural strength and excellent chemical resistance. Finished edges are the same material as the work surface. Thickness is 1".

For additional work surface options, please refer to the [industrial work surfaces](#) pages | Standard Color: Black; additional colors available. See [QuickShip](#) page for eligibility.

CONTACT BOSTONtec FOR ORDERING INFORMATION



LABORATORY ACCESSORIES



Surface-Mount, Steel Slotted Uprights

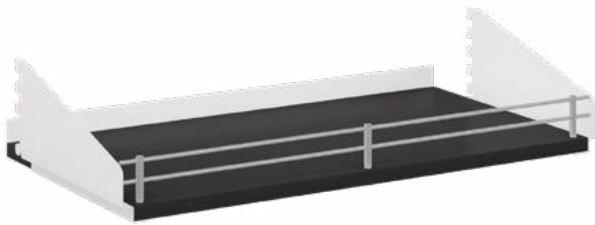
UPRIGHT CAPACITY FOR 36"W & 48"W WORKSTATIONS: 150 lbs

UPRIGHT CAPACITY FOR 60"W & 72"W WORKSTATIONS: 225 lbs

- Allow convenient access to accessories with optimal ergonomic reach access increasing productivity
- Slotting pattern allows adjustment in 1" increments without tools
- Accept laboratory accessories only
- Include hardware and mounting brackets
- White epoxy powder coat finish [Additional colors available](#)

PART NO.	DESCRIPTION	WEIGHT
URS13636	36"h Uprights for 36"w workstation (set of 2)	18 lbs
URS13648	36"h Uprights for 48"w workstation (set of 2)	18 lbs
URS13660	36"h Uprights for 60"w workstation (set of 3)	27 lbs
URS13672	36"h Uprights for 72"w workstation (set of 3)	27 lbs

PART NO.	DESCRIPTION	WEIGHT
URS14836	48"h Uprights for 36"w workstation (set of 2)	24 lbs
URS14848	48"h Uprights for 48"w workstation (set of 2)	24 lbs
URS14860	48"h Uprights for 60"w workstation (set of 3)	36 lbs
URS14872	48"h Uprights for 72"w workstation (set of 3)	36 lbs



Premium Grade Laminate Shelf

30"W SHELF CAPACITY: 100 lbs

36"W SHELF CAPACITY: 120 lbs

48"W SHELF CAPACITY: 160 lbs

- Provides additional storage space within operator reach to keep work surface space available
- Includes a structural rear retainer lip
- Includes two angled brackets with white epoxy powder coat finish [\(Additional colors available\)](#)
- Standard black laminate; additional colors available

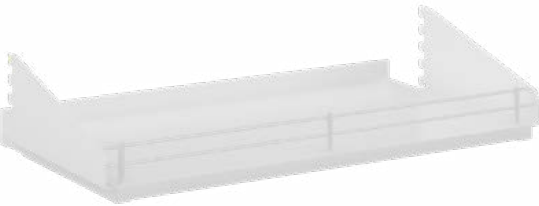
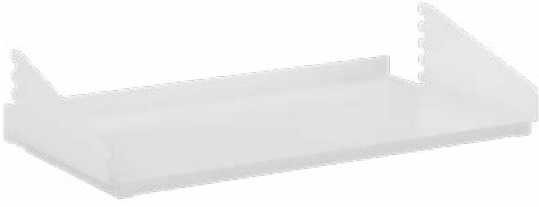
PART NO.	DESCRIPTION	WEIGHT
SU011236LNAS	0.75"h x 12"d x 36"w Shelf without rail for 36" workstation	11 lbs
SU011236LDAS	0.75"h x 12"d x 36"w Shelf with double rail front lip for 36" workstation	11 lbs
SU011248LNAS	0.75"h x 12"d x 48"w Shelf without rail for 48" workstation	14 lbs
SU011248LDAS	0.75"h x 12"d x 48"w Shelf with double rail front lip for 48" workstation	14 lbs
SU011260LNAS	0.75"h x 12"d x 30"w Shelf without rail for 60" workstation	9 lbs
SU011260LDAS	0.75"h x 12"d x 30"w Shelf with double rail front lip for 60" workstation	9 lbs
SU011272LNAS	0.75"h x 12"d x 36"w Shelf without rail for 72" workstation	11 lbs
SU011272LDAS	0.75"h x 12"d x 36"w Shelf with double rail front lip for 72" workstation	11 lbs

CONTACT US | 989-496-3500





LABORATORY ACCESSORIES



Metal Shelf

30" W SHELF CAPACITY: 100 lbs

36" W SHELF CAPACITY: 120 lbs

48" W SHELF CAPACITY: 160 lbs

- Provides additional storage space within operator reach to keep work surface open
- Includes two angled brackets
- Includes a structural rear retainer lip
- White epoxy powder coat finish ([Additional colors available](#))

PART NO.	DESCRIPTION	WEIGHT
SU011236MNAS	0.75"t x 12"d x 36"w Shelf without rail for 36" workstation	9 lbs
SU011236MDAS	0.75"t x 12"d x 36"w Shelf with double rail front lip for 36" workstation	9 lbs
SU011248MNAS	0.75"t x 12"d x 48"w Shelf without rail for 48" workstation	12 lbs
SU011248MDAS	0.75"t x 12"d x 48"w Shelf with double rail front lip for 48" workstation	12 lbs
SU011260MNAS	0.75"t x 12"d x 30"w Shelf without rail for 60" workstation	7.5 lbs
SU011260MDAS	0.75"t x 12"d x 30"w Shelf with double rail front lip for 60" workstation	7.5 lbs
SU011272MNAS	0.75"t x 12"d x 36"w Shelf without rail for 72" workstation	9 lbs
SU011272MDAS	0.75"t x 12"d x 36"w Shelf with double rail front lip for 72" workstation	9 lbs



LED Under Shelf Light

- Provides increased visibility and lighting for detailed tasks such as medical device assembly and testing/research
- Built-in on/off switch with infinite dimming capability
- 60w power supply and jumper cords
- Mounts underneath shelf; screw and magnetic mounting clips included
- One task light recommended per shelf

PART NO.	DESCRIPTION	WEIGHT
TLXXXX17	17" w Task Light	2 lbs
TLXXXX31	31" w Task Light	4 lbs



LABORATORY ACCESSORIES



CPU12



CPU20

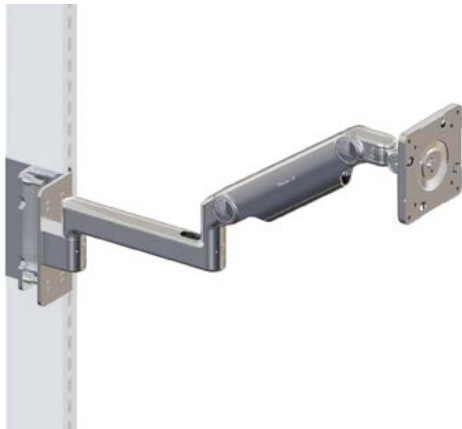
Under Work Surface CPU Holders

CAPACITY CPU12: 15 lbs

CAPACITY CPU20: 50 lbs

- Securely holds CPU off of floor and provides easy access when needed
- Easy installation via Quick Lock Technology
- Adjusts to fit CPUs 1"-5"w by 6"-12"h (CPU12)
- Adjusts to fit CPUs 3½"-9"w by 12"-20"h (CPU20)
- Slides smoothly on nylon glides in 16" track
- 360° degree swivel allows access to cables and ports
- Mounts under all laminate and hardwood work surfaces at least 30"d

PART NO.	DESCRIPTION	WEIGHT
Q1S CPU12	CPU Holder	9 lbs
Q1S CPU20	CPU Holder	11 lbs



Pneumatic Height Adjustable Flat Screen Monitor Arm

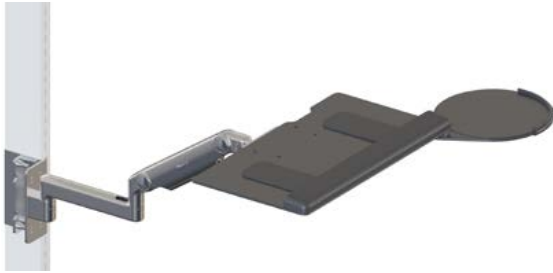
CAPACITY: 15.5 lbs

- Provides optimum flexibility to move monitor into position
- Has tilt adjustability for improved viewing angle
- Holds monitor in place
- Height adjustability range = 11"
- Extension adjustability range = 22"

PART NO.	DESCRIPTION	WEIGHT
PFSMAS	Pneumatic Height Adjustable Flat Screen Monitor Arm	7 lbs



LABORATORY ACCESSORIES

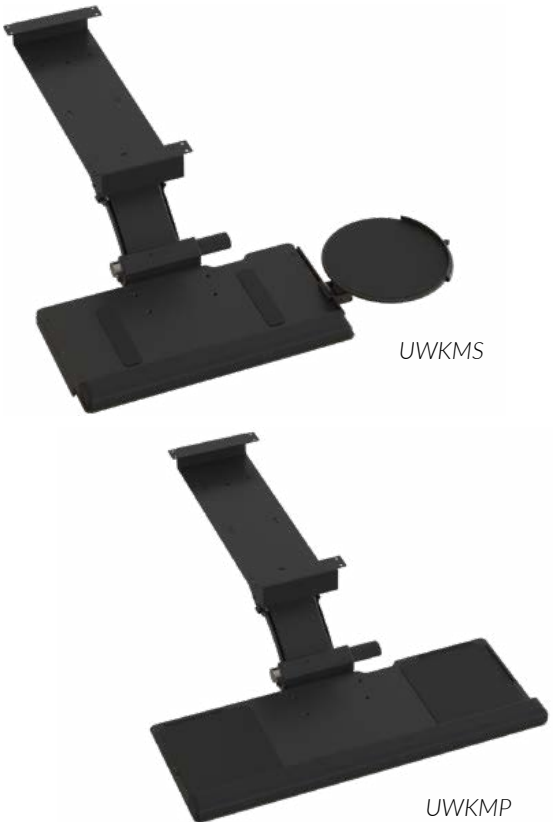


PART NO.	DESCRIPTION	WEIGHT
PKBAAS	Pneumatic Height Adjustable Keyboard Tray w/Mouse Platform	15.5 lbs

Pneumatic Height Adjustable Keyboard Tray with Mouse Platform

CAPACITY: 15.5 lbs

- Provides optimum flexibility to move keyboard into ergonomic position
- Keyboard tray rotates for easy adjustment
- Holds tray securely in place
- Tray includes 2" padded ergonomic wrist support strip for operator comfort
- Height adjustability range = 11"
- Extension adjustability range = 22"
- Keyboard tray is 10 ½"d x 19"w; mouse platform is 8 ¾" diameter



Under Work Surface Keyboard Tray

CAPACITY: 15 lbs

- Compatible with LPC, LMC, LUE, and LUC at all available depths.
- 18" track to allows operator to access or stow as needed
- 0°-15° tilt
- 7" height adjustability

Keyboard Tray with Sliding Mouse Platform

Keyboard Tray

- Tray size 10.625"d x 19"w
- Includes 19" Technogel palm support

Mouse Platform

- 9" diameter
- 8" slide adjustment
- Left/right adaptable slide mount to suit user preference

PART NO.	DESCRIPTION	WEIGHT
UWKMS	Under-WS Keyboard Tray w/Sliding Mouse Platform	19 lbs

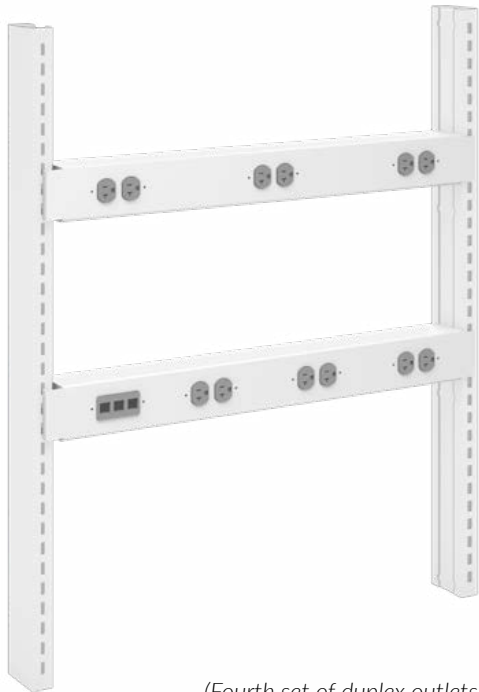
Keyboard and Mouse Tray

- Tray size 10.625"d x 27"w
- Includes 27" Technogel palm support
- Built-in left/right mouse area

PART NO.	DESCRIPTION	WEIGHT
UWKMP	Under Work Surface Keyboard & Mouse Platform	19 lbs



LABORATORY ACCESSORIES



(Fourth set of duplex outlets located on power manifold back)

Power Manifold

- Allows convenient access to electricity and/or data usage
- Data ports are non-wired
- 20A rated manifold
- Cord Length: 15'
- White epoxy powder coat finish (Additional colors available)

Four Duplex Outlets

PART NO.	DESCRIPTION	WEIGHT
PM00URS1G03615	For 36" wide table	4 lbs
PM00URS1G04815	For 48" wide table	4 lbs
PM00URS1G06015	For 60" wide table (30" manifold)	5 lbs
PM00URS1G07215	For 72" wide table (36" manifold)	6 lbs

Four Duplex Outlets & One Data Port

PART NO.	DESCRIPTION	WEIGHT
PM01URS1G03615	For 36" wide table	4 lbs
PM01URS1G04815	For 48" wide table	4 lbs
PM01URS1G06015	For 60" wide table (30" manifold)	5 lbs
PM01URS1G07215	For 72" wide table (36" manifold)	6 lbs



Gas Manifold

- Allows convenient access to gases
- Open back design
- White epoxy powder coat finish (Additional colors available)

Three Fixture Holes

PART NO.	DESCRIPTION	WEIGHT
GM50URS136	For 36" wide table	2 lbs
GM50URS148	For 48" wide table	2 lbs
GM50URS160	For 60" wide table (30" manifold)	3 lbs
GM50URS172	For 72" wide table (36" manifold)	4 lbs

Four Fixture Holes

PART NO.	DESCRIPTION	WEIGHT
GM51URS136	For 36" wide table	2 lbs
GM51URS148	For 48" wide table	2 lbs
GM51URS160	For 60" wide table (30" manifold)	3 lbs
GM51URS172	For 72" wide table (36" manifold)	4 lbs



LABORATORY ACCESSORIES



Hanging Cabinets

- Durable under work surface storage to keep work surface space available
- Premium grade laminate with 3mm edging
- Available in standard gray; additional colors available upon request

PART NO.	DESCRIPTION	WEIGHT
KA051242418 / KA052242418	Hanging laminate cabinet with hinged left/right door with (2) pull-out shelves, 24h x 24d x 18w	88 lbs
KA051242424 / KA052242424	Hanging laminate cabinet with hinged left/right door & (2) pull-out shelves - 24h x 24d x 24w	104 lbs
KA403242418	Hanging cabinet with (3) drawers - 24h x 24d x 18w	102 lbs
KA403242424	Hanging cabinet with (3) drawers - 24h x 24d x 24w	120 lbs
KA010242424	Hanging cabinet with (2) doors - 24h x 24d x 24w	84 lbs
KA010242430	Hanging cabinet with (2) doors - 24h x 24d x 30w	91 lbs
KA010242436	Hanging cabinet with (2) doors - 24h x 24d x 36w	99 lbs
KA050242424	Hanging cabinet with (2) doors and (2) pull-out shelves - 24h x 24d x 24w	104 lbs
KA050242430	Hanging cabinet with (2) doors and (2) pull-out shelves - 24h x 24d x 30w	115 lbs
KA050242436	Hanging cabinet with (2) doors and (2) pull-out shelves - 24h x 24d x 36w	126 lbs
KA454242418	Hanging cabinet with (2) drawers and (1) lateral file drawer - 24h x 24d x 18w	108 lbs
KAKA3042418	Hanging knee drawer with (1) drawer - 4h x 24d x 18w	29 lbs
KAKA3042424	Hanging knee drawer with (1) drawer - 4h x 24d x 24w	34 lbs
KAKA3042430	Hanging knee drawer with (1) drawer - 4h x 24d x 30w	42 lbs

FEET AND CASTER PART NUMBERS

INDUSTRIAL

For descriptions and images of feet and casters, see the [industrial section](#).

WORKSTATION MODEL	DEPTH	LEVELER FEET	UNIVERSAL LOCKING CASTER (4 LOCKING)	MEDIUM DUTY ESD CASTER (4 LOCKING)	UNIVERSAL LEVELING CASTER
AF	24	FA24A	FE24A	FG24A	FK24A
	30	FA30A	FE30A	FG30A	FK30A
	36	FA36A	FE36A	FG36A	FK36A
AFC	30	FA30B	FE30B	FG30B	FK30B
	36	FA36B	FE36B	FG36B	FK36B
	48	FA48B	FE48B	FG48B	FK48B
AFH	24	FA24C	FE24C	N/A	FK24C
	30	FA30C*	FE30C*	N/A	FK30C
	36	FA36C*	FE36C*	N/A	FK36C
AFHC	30	FA30D	FE30D	N/A	FK30D
	36	FA36D	FE36D	N/A	FK36D
	48	FA48D	FE48D	N/A	FK48D
PB	24	FA24G	FE24G	FG24G	FK24G
	30	FA30G*	FE30G*	FG30G	FK30G
	36	FA36G*	FE36G*	FG36G	FK36G
PBC	30	FA30H	FE30H	FG30H	FK30H
	36	FA36H	FE36H	FG36H	FK36H
	48	FA48H	FE48H	FG48H	FK48H
PBH	24	FA24I	FE24I	N/A	FK24I
	30	FA30I*	FE30I*	N/A	FK30I
	36	FA36I*	FE36I*	N/A	FK36I
PBHC	30	FA30J	FE30J	N/A	FK30J
	36	FA36J	FE36J	N/A	FK36J
	48	FA48J	FE48J	N/A	FK48J

* [QuickShip](#) available item

LABORATORY

For descriptions and images of feet and casters, see the [laboratory section](#).

TABLE TYPE	DEPTH	LEVELER FEET	UNIVERSAL LOCKING CASTER (4 LOCKING)	UNIVERSAL LEVELING CASTER
LMC	30	FA30M	FE30M	FK30M
	36	FA36M	FE36M	FK36M
LPC	30	FA30N	FE30N	FK30N
	36	FA36N	FE36N	FK36N

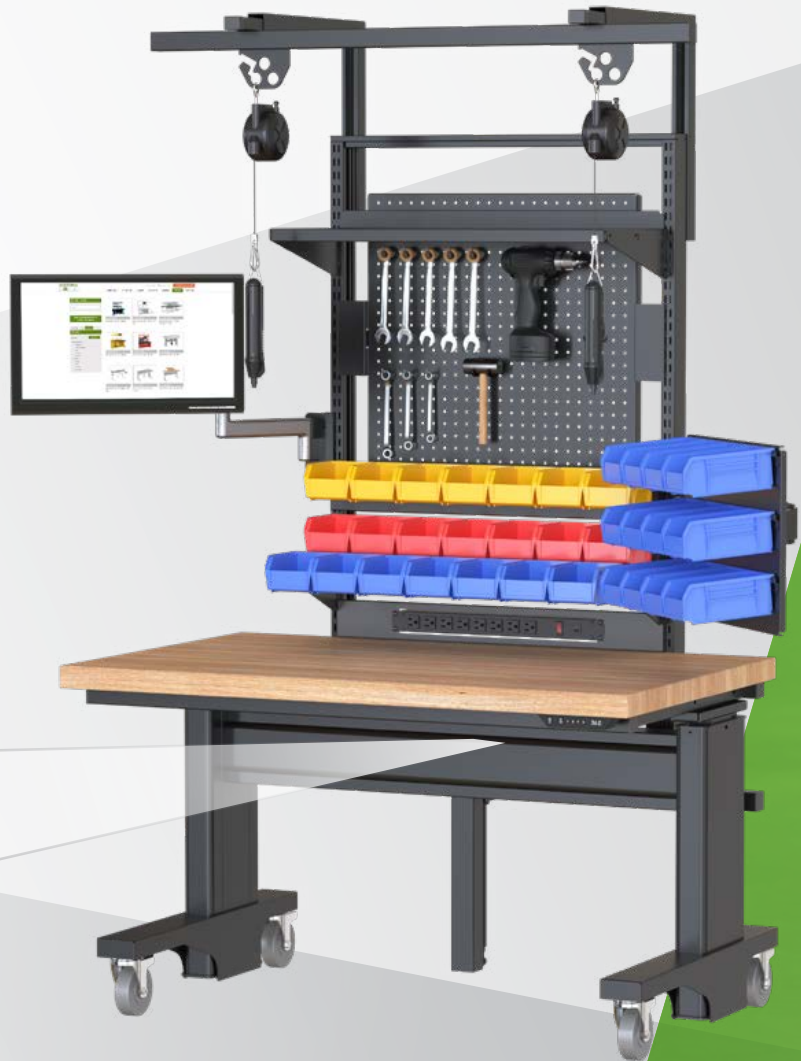
YOUR PRODUCTIVITY ADVANTAGE

With more than 20 years of design and manufacturing experience, BOSTONtec is a leader in ergonomic workstations and custom solutions.

We focus on creating quality, affordable designs that can be customized to fit your specific application.

BOSTONtec base frames include a manufacturing number label for better customer service.

Labels are affixed to the underside of the workstation base.



BOSTONtec



MFG#

21234



| 989.496.3500

| info@bostontec.com

| 2700 James Savage Rd, Midland, MI 48642

